
IMPORTANT

WARNING: This manual contains information on limitations regarding product use and function and information on the limitations as to liability of the manufacturer. The entire manual should be carefully read.

Installation Manual

DSC[®]
Power 864[™]

S E C U R I T Y S Y S T E M

PC5020 Version 3.1
DLS-3 v1.3 and higher

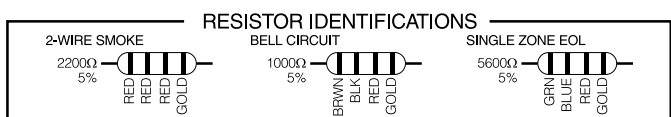
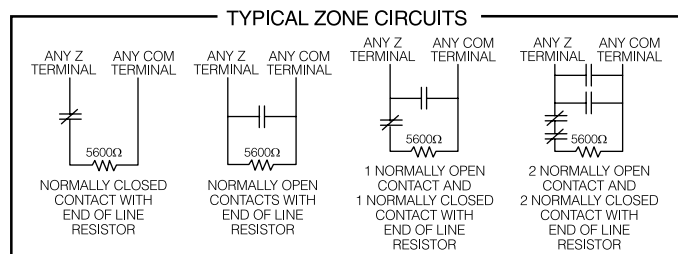
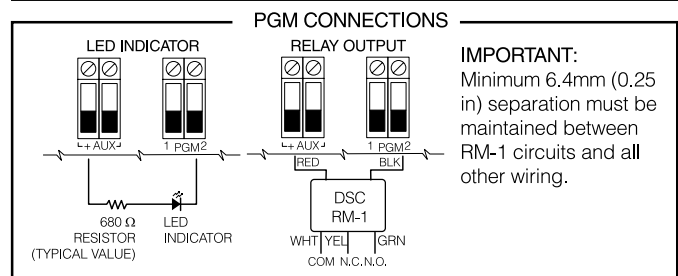
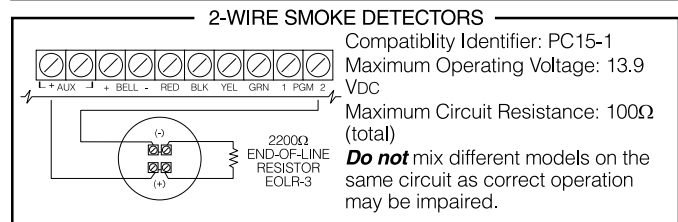
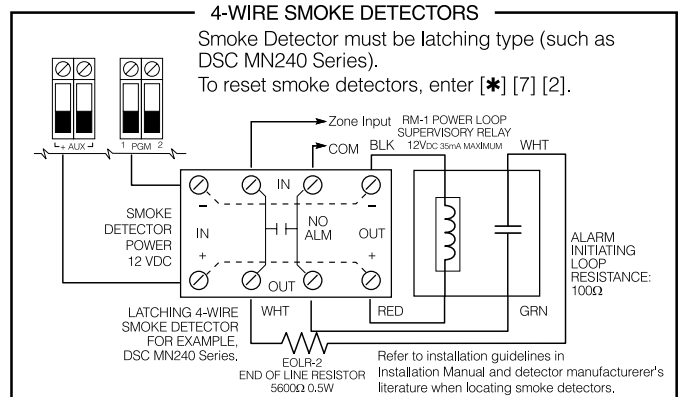
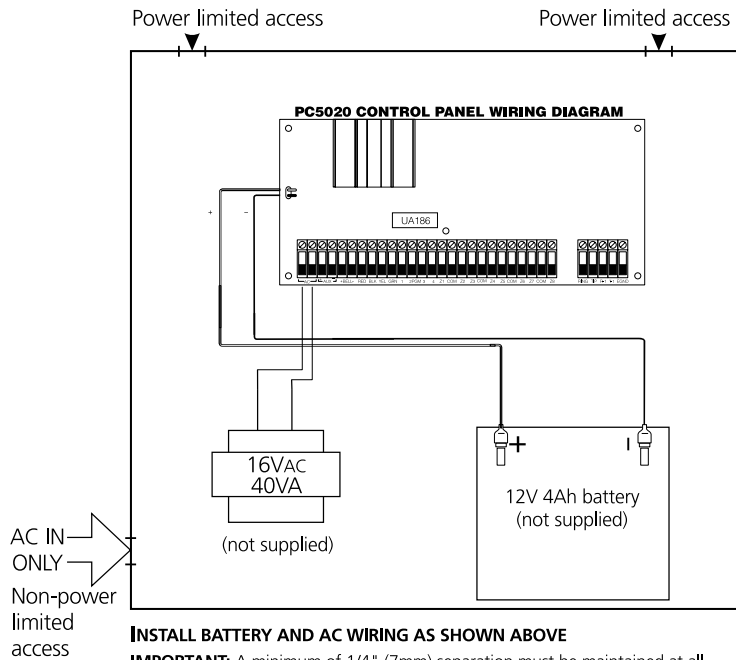
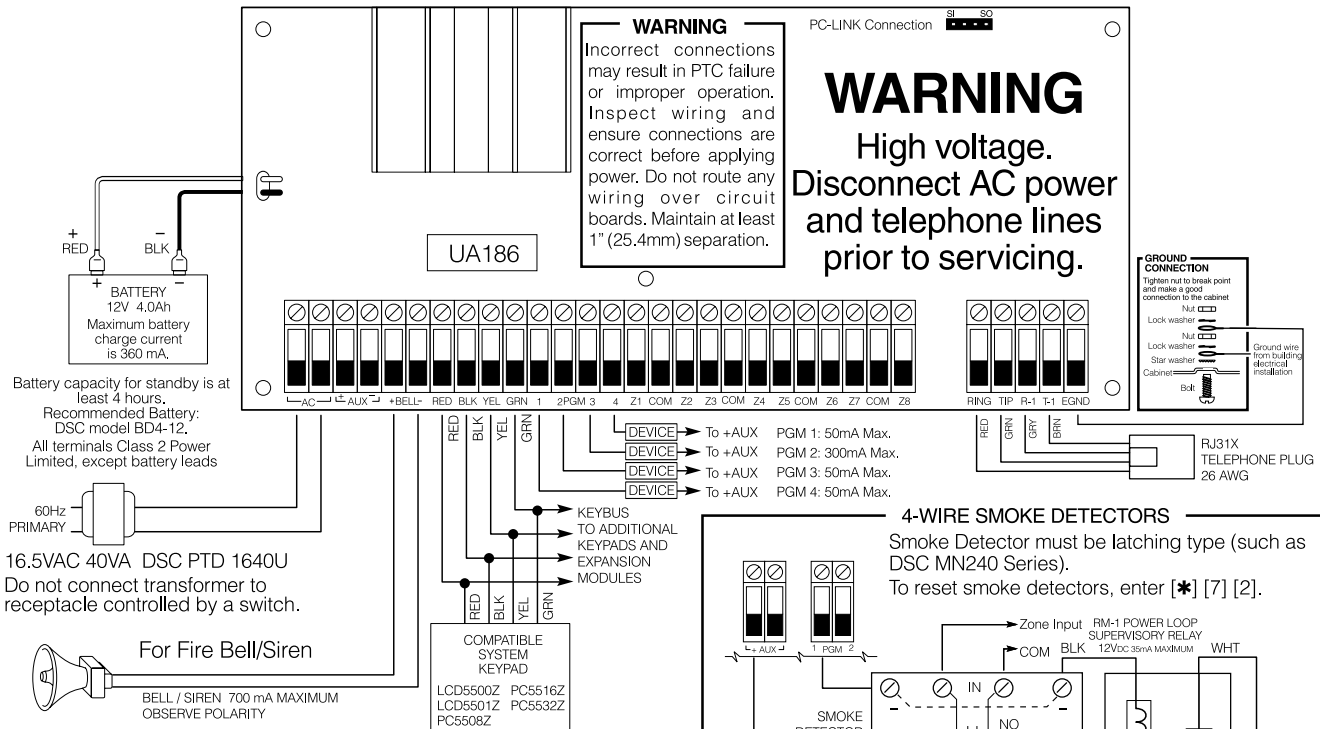
New Features

PC5200 Support	The PC5020 v3.1 supports the new PC5200 Power Supply module. See PC5200 Power Supply Module, Pg 2.
PC5936 Support	The PC5020 v3.1 supports the PC5936 15-station audio matrix module. See PC5936 Audio Interface Module, Pg 2.
SIA False Alarm Reduction Features	SIA False Alarm Reduction features have been incorporated in this version.
No Activity Arming (by Partition)	This feature enables the system (or partition) to arm if there is no zone activity for a programmed time period. See [191]-[198] - No-Activity Timer (Partition 1-8), Pg 34.
Programmable Auto Arm Pre-Alert Timer	The Auto-Arm Pre-alert Time is now programmable. The default value for this timer has been extended to 5 minutes. See Section [199] - Auto-Arming Pre-Alert Time, Pg 34.
Periodic Test Transmission Exception	With this feature enabled, the panel will not send a test transmission if there has been any transmission received by the receiver within the programmed time. See [018] Option 1 - Sixth System Option Codes, Periodic Test Transmission Exception, Pg 31.
Cross Zoning	This feature requires two or more trips on a zone(s) specified as "cross zones" within a specified time before starting an alarm sequence. See [018] Option 6 -Sixth System Option Codes, Burglary Verification, Pg 32.
True Automatic Contact ID	If Automatic Contact ID is enabled, reporting codes will be automatically assigned for each zone type programmed.
Keypad Buzzer Alarm	When enabled and the system or Partition is in alarm, all assigned keypad buzzers will follow the bell output. When disabled, the keypad buzzers will only sound for buzzer type alarms. See Section [018] Option 5- Sixth System Option Codes, Keypad Buzzer Alarm, Pg 32.
New Zone Types	See Sections [001]-[004] - Zone Definitions, Pg 20. Zone Type 27 - Delayed 24 Hour Waterflow Zone Zone Type 28 - Instant 24 Hour Waterflow Zone Zone Type 29 - Auto Verified Fire Zone Zone Type 30 - Fire Supervisory Zone Zone Type 31 - Day Zone
Waterflow Silence Inhibit Option	This option affects the Instant Waterflow Zone and the Delay Water-flow Zone. This option does NOT allow the user to silence alarms, manually, automatically, or by a system reset until all waterflow zones are returned to their restored state. See Section [018] Option 4 - Sixth System Option Codes, Waterflow Silence Inhibit, Pg 32.
Verbal Door Chime and Verbal Alarm	This feature is available when the ESCORT5580 v3.0 , and the PC5936 v1.0 are used. This feature enables the Door Chime to verbally announce the Zone that has been violated instead of a series of beeps. See Section [018] Option 2&3, Sixth System Option Codes, Verbal Door Chime and Verbal Alarm, Pg 32. See associated <i>Installation Manuals</i> .
Fast Loop Response by Zone	The PC5020 v3.1 can configure any or all onboard zones for 36 ms Loop Response. See Section [030] - Fast Loop Response, Pg 33

Table of Contents

Section 1: Introduction	1	3.5 Viewing Programming	11
1.1 About the Power864 System	1	Section 4: Keypad Commands	12
1.2 About the Power864 Manual Set	1	4.1 Access Codes	12
1.3 Main Panel Specifications	1	4.2 Arming and Disarming	13
1.4 Additional Devices	2	4.3 [*] Commands	14
Section 2: Installation and Wiring	4	4.4 Function Keys	16
2.1 Installation Steps	4	4.5 Global and Partition Keypad Operation	18
2.2 Terminal Descriptions	4	Section 5: Programming Sections	19
2.3 Keybus Operation and Wiring	5	5.1 For the Record	20
2.4 Current Ratings - Modules & Accessories	5	5.2 Keypad Programming	20
2.5 Assigning Zones to Zone Expanders	6	5.3 Basic Programming	20
2.6 Keypad Assignment	7	5.4 Advanced Programming	33
2.7 Confirming Module Supervision	7	5.5 Partition and Zone Programming	35
2.8 Removing Modules	7	5.6 Communicator Programming	35
2.9 Zone Wiring	7	5.7 Downloading Options	48
2.10 Keypad Zones	9	5.8 Programmable Output Programming	49
Section 3: How to Program	10	5.9 International Programming	51
3.1 How to Enter Installer Programming	10	5.10 Module Programming	52
3.2 Programming Decimal Data	10	5.11 Special Installer Instructions	53
3.3 Programming Hexadecimal Data	10	Appendix A: Reporting Codes	55
3.4 Programming Toggle Options	10		

PC5020 Wiring Diagram



Section 1: Introduction

1.1 About the Power864 System

The Power864 security system supports up to 64 zones, 8 separate partitions, and 32 users.

The PC5020 main board comes with 4 programmable outputs, and you can add up to 12 more using PC5204 and PC5208 modules. You can program the outputs to control things such as doorstrikes and lights, using 25 different output options. See Programmable Outputs in Section 5.

You can program the Power864 using any system keypad, or using DLS-3 downloading software and a computer. See How to Program on Page 10.

1.2 About the Power864 Manual Set Installer Manuals

Read the entire manual carefully before beginning your installation.

This manual describes:

- An overview of the system (Section 1: "Introduction")
- How to install and wire the system and its modules (Section 2: "Installation and Wiring")
- How to program the system (Section 3: "How to Program")
- An introduction to the user interface and keypad operation (Section 4: "Keypad Commands")
- An overview of the main system programming sections (Section 5: "Programming Sections").

Be sure to record all your system programming in the **Programming Worksheets**.

If you will be adding modules to your Power864 system, read the **Installation Instructions** that come with each module.

User's Guide

The **User's Guide** provides easy to follow instructions for end users. Installers should also review this manual, in order to properly instruct the end-users once the installation is complete.

1.3 Main Panel Specifications

System Overview:

- 8 fully programmable zones
- 39 access codes: 32 user, 1 system master, 2 supervisor codes, 2 duress, 1 maintenance and 1 installer Code
- Expandable to 64 zones
- Keypads with zone inputs available (PC5508Z, PC5516Z, PC5532Z, LCD5500Z, and LCD5501Z)
- Hardwired expansion available using the PC5108 Eight Zone Expansion Module, the PC5100 Addressable 32 Zone Expansion Module and the PC5700/5720 Fire Module
- Wireless expansion available using the PC5132 Wireless 32 Zone Expansion Module (433 or 900MHz, Fully Supervised)
- Normally closed, Single EOL, or Double EOL zone supervision
- 34 zone types, 8 Programmable zone options
- Up to 8 partitions

Audible Alarm Output:

- 700mA supervised bell output (current limit 3 amps), 12 VDC
- Steady or pulsed output

EEPROM Memory:

- Will not lose programming or system status on complete AC and battery failure

Programmable Outputs:

- Up to 14 programmable outputs, 21 programmable options
- Three low current (50 mA) PGM outputs on main panel (PGM1, PGM3, PGM4)
- One high current (300 mA) PGM output with 2-wire smoke detector capability on main panel (PGM 2)
- Eight additional low current (50 mA) PGM outputs available using the PC5208 module
- Four high current (1 Amp) PGM outputs available using the PC5204 module (1 PC5204 output, fully supervised for siren output)

Powerful 1.5 Amp Regulated Power Supply:

- 550 mA auxiliary supply, 12 VDC
- Positive temperature coefficient (PTC) components replace fuses
- Supervision for loss of AC power, low battery
- Internal clock locked to AC power frequency

Power Requirements:

- Transformer = 16.5 VAC, 40VA permanently connected
- Battery = 12 volt 4 Ah (min.) rechargeable sealed lead acid

Remote Keypad Specifications:

- 5 different keypads available:
 - PC5508Z 8 zone LED keypad
 - PC5516Z 16 zone LED keypad
 - PC5532Z 32 zone LED keypad
 - LCD5500Z programmable message LCD keypad
 - LCD5501Z fixed message LCD keypad
 - LCD5501Z32-900 fixed message LCD keypad with integrated PC5132 wireless receiver
- "Z" version keypads have one zone input
- Each keypad has 5 fully programmable function keys
- Connect up to 8 keypads
- Four wire (Quad) connection to Keypad
- Built in piezoelectric buzzer

Digital Communicator Specifications:

- Supports all major formats including SIA, Contact ID, and Residential Dial
- Split reporting of selected transmissions to each telephone number
- 3 programmable telephone numbers
- 1 system account number, plus 8 partition account numbers
- Supports LINKS1000, GSM1000 cellular communication, Links 2X50 Long Range Alarm Transmitter and Skyroute™ Cellemetry Communication Transceiver.
- DTMF and pulse dialing
- DPDT line seizure
- Anti-jam feature
- Event-initiated personal paging

System Supervision Features

The PC5020 continuously monitors a number of possible trouble conditions including:

- AC Power Failure
- Trouble by Zone

- Fire Trouble
- Telephone Line Trouble
- Low Battery Condition
- Bell Output Trouble
- Loss of Internal Clock
- AUX Power Supply Fault
- Tamper by Zone
- Failure to Communicate
- Module Fault (Supervisory or Tamper)
- Camera Troubles via DLM-4L

False Alarm Prevention Features

- Audible Exit Delay
- Audible Exit Fault
- Urgency on Entry Delay
- Quick Exit
- Swinger Shutdown
- Recent Closing Transmission
- Cross Zone Alarm
- Burglary-verified timer
- Double Hit Timer
- Communication Delay
- Rotating Keypress Buffer

Additional Features

- Automatic arming by partition at a specified time, each day of the week
- Keypad activated alarm output and communicator test
- Keypad lockout
- Audio capability using the PC5936 Audio Interface Module, allows local intercom and central station 2-way listen-in
- All modules connect to the system via a four wire Keybus, up to 1000'/305m from the main panel
- Event buffer can be printed using PC5400 RS-232 Serial Interface module
- Supports the Escort5580 Voice Prompt Module, with automation, lighting, and thermostat control
- 256 event buffer, time and date stamped
- Uploading/downloading capability
- Daylight savings time option
- Downlook support (DLM-4L v1.0 and PC5108L)

1.4 Additional Devices

In addition to the information below, see the back cover for a DSC Module Compatibility table.

Keypads

A maximum of 8 keypads can be connected to the control panel. You can connect any combination of the following listed.

- PC5508Z: 8 zone LED keypad, with one zone input
- PC5532Z: 32 zone LED keypad, with one zone input
- PC5516Z: 16 zone LED keypad, with one zone input
- LCD5500Z: programmable message LCD keypad, with one zone input
- LCD5501Z: fixed message LCD keypad, with one zone input
- LCD5501Z32-900 fixed message LCD keypad with integrated PC5132 wireless receiver

Different keypads (with function keys) can be used for different size systems: 8 zone, 16 zone, 32 zone, and 64 zone.

NOTE: Please see the PC5020 Module Compatibility Chart on the back cover for compatible versions.

PC5100 2-Wire Addressable Device Interface Module

The PC5100 module is used to connect 2-wire addressable devices to the system. Up to 32 2-wire addressable devices can be added to the system

NOTE: PC5100 v1.0 and lower modules can only support the first 32 zones on the Power864 system.

PC5108 Eight Zone Expander Module

Eight zone expander module can be used to increase the number of zones on the system. Up to 7 modules can be connected to increase the system zones to a maximum of 64. (See the PC5108 Installation Instructions Sheet.)

NOTE: PC5108 v1.0 and lower modules can only support the first 32 zones on the Power864 system. PC5108 v1.0 and lower modules enroll as two modules and use up two supervisory slots.

NOTE: Do not mix PC5108 v1.x and lower modules with PC5108 v2.0 and higher modules on the same system.

PC5132 Wireless Receiver Module

The PC5132 Wireless Receiver module can be used to connect up to 32 fully supervised wireless devices. (See the PC5132 Installation Manual for details.)

NOTE: Only the first 32 zones on the Power864 system can be used as wireless zones.

PC5200 Power Supply Module

The PC5200 can provide up to 1 Amp of additional power for modules or devices connected to the control panel. Up to 4 modules can be connected to the system. Each module requires a 16.5 volt AC 40 VA transformer and 4 AH battery. (See PC5200 Installation Instructions for details.)

PC5204 Power Supply Output Module

The PC5204 can provide up to 1 Amp of additional power for modules or devices connected to the control panel. The module requires a 16.5 volt AC 40 VA transformer and 4 AH battery. In addition, the module provides 4 programmable high current voltage outputs. (See PC5204 Installation Instructions for details.)

PC5208 Eight Low Current Output Module

Adds eight programmable low current outputs (50 mA) to the control panel. (See the PC5208 Installation Instructions for details.)

NOTE: If you use the main panel and the PC5208 outputs, PGM 3 will work the same as the first PC5208 output, and PGM 4 will work the same as the second PC5208 output.

Escort5580 Module

This Escort5580 module will turn any touch-tone telephone into a fully functional keypad. The module also includes a built-in interface to control up to 32 power-line carrier devices for automation control and 4 thermostats for temperature control (See the Escort5580 Installation Manual for details.)

NOTE: Please see the PC5020 Module Compatibility Chart on the back cover for compatible versions.

PC5936 Audio Interface Module

The PC5936 Audio Interface modules provide paging, intercom, room monitor and door answer to the PC5020 control panel. The modules have built-in two-way voice capability for central station audio alarm verification (See the PC5936 Installation Manuals for details.)

Three additional devices are available:

- PC5921 Intercom Audio Station can be used in conjunction with the PC5936 Audio Interface Module.

- PC5921 EXT Door Box Audio Station can be used in conjunction with the PC5936 Audio Interface Module.
- PC5921 EXT/R Door Box Audio Station can be used in conjunction with the PC5936 Audio Interface Module. The Door Box contains a relay so the normal door bell can be used instead of the internal one generated by the PC5936 Audio Interface Modules.

PC5400 Printer Module

This PC5400 Printer Module will allow the panel to print out all events that occur on the system to any serial printer. All events will be printed with the Partition, time, date and the event that occurred. (Refer to the PC5400 Installation Manual for details.)

NOTE: Please see the PC5020 Module Compatibility Chart on the back cover for compatible versions.

LINKS1000 Cellular Communicator

The LINKS1000 Cellular Communicator provides an efficient, cost-effective method for adding cellular back up. The unit comes in its own cabinet with antenna and requires a separate battery and transformer (See Links1000 Cellular Communicator in Section 5).

Alternate Communicators

Refer to the associated installation manual for LINKS2X50 and Skyroute™ programming details.

Downlook Support: PC5108L and DLM-4 v1.0L

The PC5108L will expand the control panel's zone capability by adding eight fully programmable zone inputs. The module will also act as an interface between the DLM-4L v1.0 Video Transmission module and the PC5020 control panel. The PC5108L is also an 8-camera video switcher.

For more information on either module, see their respective Installation Manuals.

NOTE: Please see the PC5020 Module Compatibility Chart on the back cover for compatible versions.

NOTE: Do not mix PC5108L v1.x and lower modules with PC5108 v2.0 and higher modules on the same system.

PC5700 Fire Module

This is a zone expansion module with four general purpose zone inputs, two Class A supervisory waterflow zone inputs, ground fault detection and dual-supervised telephone line inputs.

PC5720 Fire Module

This is a zone expansion fire module that can be used for ULC-listed non-residential fire applications. The PC5720 can also be used as an interface between the control panel and either a serial printer or a DVACS communications network.

NOTE: Do not use the PC5700 and PC5720 v1.x and lower modules with PC5108 v2.0 and higher modules on the same system.

Cabinets

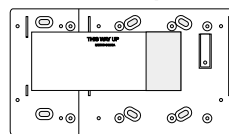
Several different cabinets are available for the PC5020 modules. They are as follows:

- **PC4050** cabinet to house the PC5936/5937 and Escort5580TC together. Dimensions 305mm x 376mm x 125mm / 12" x 14.8" x 4.9" approximately.
- **PC4050CR** alternate main control cabinet (Fire) for the PC5020 main panel. Dimensions 305mm x 376mm x 125mm / 12.0" x 14.8" x 4.9" approximately.
- **PC5002C** cabinet to house the PC5204 Power Supply Output Module. Dimensions 213mm x 235mm x 78mm / 8.4" x 9.25" x 3" approximately.
- **PC5003C** main control cabinet for the PC5020 main panel. Dimensions 222mm x 298mm x 78mm / 11.3" x 11.7" x 3.0" approximately.
- **PC5004C** cabinet to house the Escort5580 Module and PC5400 Printer Module. Dimensions 229mm x 178mm x 66mm / 9" x 7" x 2.6" approximately.
- **PC5001C** cabinet to house the PC5108 Zone Expander Module and the PC5208 Eight Low Current Output Module. Dimensions 153mm x 122mm x 38mm / 6" x 4.8" x 1.5" approximately.
- **PC5001CP** plastic cabinet to house the PC5108 Zone Expander Module and the PC5208 Eight Low Current Output Module. Dimensions 146mm x 105mm x 25.5mm / 5.75" x 4.2" x 1" approximately.
- **Multi-3** cabinet to house the PC5936/PC5937. Dimensions 287mm x 298mm x 78mm / 11.3" x 11.7" x 3.0" approximately.
- **HS-CAB100** structured wiring cabinet for PC5020 main panel. Dimensions 362mm x 229mm x 102mm / 14.25" x 9" x 4" with a wire raceway positioned on the right side of the cabinet. The cover is 389mm x 254mm / 15.3" x 10".
- **HS-CAB200** structured wiring cabinet for PC5020 main panel. Dimensions are 362mm x 362mm x 102mm / 14.25" x 14.25" x 4" with a wire raceway in the center of the cabinet. The cover is 389mm x 389mm / 15.3" x 15.3".
- **HS-CAB300** structured wiring cabinet for PC5020 main panel. Dimensions 724mm x 362mm x 102mm / 28.5" x 14.25" x 4" with a wire raceway in the center of the cabinet. The cover is 752mm x 387mm / 29.6" x 15.3".

Backplates

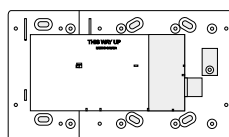
There are two different backplates available for keypads to mount an Audio Station next to a keypad:

PC55BP1 Backplate



Use this backplate when mounting an Audio Station next to a keypad. Dimensions 208mm x 115mm x 18mm / 8.2" x 4.5" x 0.25" approximately.

PC55BP2 Backplate



Use this backplate when mounting an Audio Station next to a keypad. In addition the backplate will allow you to mount a PC5108 Zone Expander Module or the PC5208 Eight Low Current Output Module. Dimensions 208mm x 115mm x 18mm / 8.2" x 4.5" x 0.7" approximately.

Section 2: Installation and Wiring

The following sections provide a complete description of how to wire and configure devices and zones.

2.1 Installation Steps

The following steps are provided to assist with the installation of the panel. It is suggested that you read over this section briefly to get an overall understanding of the order of installation. Once this is done carefully work through each step. Working from this plan will help reduce problems and reduce the overall installation time required.

Step 1 Create a Layout

Draw a rough sketch of the building and include all alarm detection devices, zone expanders, keypads and all other modules that are required.

Step 2 Mounting the Panel

Locate the panel in a dry area, preferably located near an unswitched AC power source and the incoming telephone line. Before attaching the cabinet to the wall be sure to press the five circuit board mounting studs into the cabinet from the back.

NOTE: Complete all wiring before applying AC or connecting the battery.

Step 3 Wiring the Keybus (Section 2.3)

Wire the Keybus to each of the modules following the guidelines provided.

Step 4 Assigning Zones to Zone Expanders (Section 2.5)

If zone expander modules are being used the modules must be configured so the panel knows which zones are assigned to each expander. Follow the guideline provided to assign zones to expanders.

Step 5 Zone Wiring (Section 2.9)

Power down the control panel and complete all zone wiring. Follow the guidelines provided in section 2.9 to connect zones using normally closed loops, single EOL resistor, double EOL resistors, Fire zones and Keyswitch Arming zones.

Step 6 Completing Wiring

Complete all other wiring including bells or sirens, telephone line connections, ground connections or any other wiring necessary. Follow the guidelines provided in section 2.2 "Terminal Descriptions".

Step 7 Power up the Control Panel

Once all zone wiring and Keybus wiring is complete, power up the control panel.

NOTE: The panel will not power up if only the battery is connected.

Step 8 Keypad Assignment (Section 2.6)

Keypads must be assigned to different slots to be properly supervised. Follow the guideline provided in section 2.6 to assign keypads.

Step 9 Confirming Module Supervision (Section 2.7)

By default, all modules are supervised upon installation. Supervision is enabled at all times so that the panel can indicate a trouble if a module is removed from the system.

To confirm that each module is properly supervised, follow the guidelines provided in section 2.7.

Step 10 Programming the System (Sections 4 & 5)

Section 4.0 provides a complete description of how to program the panel. Section 5.0 contains complete descriptions of the various programmable features, what options are available and how the options function. The Programming Work Sheets should be filled out completely before attempting to program the system.

Step 11 Testing the System

Test the panel completely to ensure that all features and functions are operating as programmed.

2.2 Terminal Descriptions

NOTE: AC Terminals - AC

The panel requires a 16.5 volt, 40 VA transformer. Connect the transformer to an unswitched AC source and connect the transformer to these terminals.

NOTE: Do not connect the transformer until all other wiring is complete.

Battery Connection

The battery is used to provide back up power in the event of an AC power failure and to provide additional current when the panel demands exceed the power output of the transformer, such as when the panel is in alarm.

NOTE: Do not connect the battery until all other wiring is complete.

Connect the RED battery lead to the positive of the battery, the BLACK battery lead to the negative.

Auxiliary Power Terminals - AUX+ and GND

These terminals provide up to 550 mA of additional current at 12 Vdc for devices requiring power. Connect the positive side of any device requiring power to the AUX+ terminal, the negative side to GND. The AUX output is protected; if too much current is drawn from these terminals (wiring short) the panel will temporarily shut off the output, until the problem is corrected.

Bell Output Terminals - BELL+ and BELL-

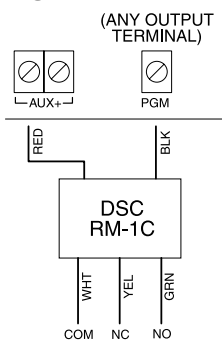
These terminals provide up to 3 Amps of current at 12 Vdc (with stand-by battery; 700 mA continuous) for powering bells, sirens, strobes or other warning type equipment. Connect the positive side of any alarm warning device to BELL+, the negative side to BELL-. The BELL output is protected; if too much current is drawn from these terminals (wiring short) the BELL PTC will open.

The Bell output is supervised. If no alarm warning device is being used connect a 1K Ω resistor across BELL+ and BELL- to prevent the panel from displaying a trouble condition (see section [*][2] Trouble Display on page 14).

Keybus Terminals - RED, BLK, YEL, GRN

The Keybus is used by the panel to communicate with modules and by modules to communicate with the panel. Each module has four Keybus terminals that must be connected to the four Keybus terminals on the panel. For more information, see section 2.3 Keybus Operation and Wiring on page 5.

Programmable Outputs - PGM1, PGM2, PGM3, PGM4



Each PGM output is designed so that when activated by the panel, the terminal will switch to ground

PGM1, PGM3, and PGM4 can each sink up to 50 mA of current. These PGMs can be used to activate LEDs or a small buzzer. Connect the positive side of the LED or buzzer to AUX+, the negative side to the PGM.

PGM2 is a high current output (300mA) and operates similarly to PGM1. If more than 300 mA of current is required, a relay must be used. Refer to the diagram.

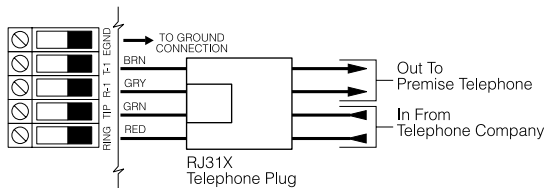
Zone Input Terminals - Z1 to Z8

Each detection device must be connected to a zone on the control panel. It is suggested that each zone have one detection device however it is possible to wire multiple detection devices to the same zone.

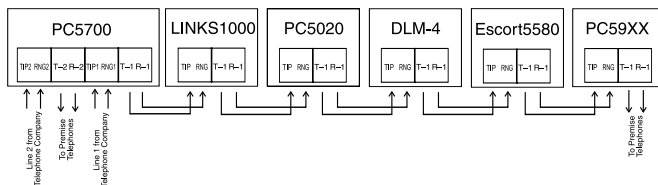
For zone wiring specifics, see section 2.9 Zone Wiring on page 7.

Telephone Connection Terminals - TIP, RING, T-1, R-1

If a telephone line is required for central station communication or downloading, connect an RJ-31X jack in the following manner:



Connect the PC5020 and modules that use the telephone line(s) in the following order:



For example, if you are installing a PC5020 with a LINKS1000/ GSM1000 and a PC5936 Intercom module, connect the incoming line to the LINKS1000, then from the LINKS1000 to the PC5020, then from the PC5020 to the PC5936 Intercom and then from the PC5936 to the house telephones

NOTE: Ensure that all plugs and jacks meet the dimension, tolerance and metallic plating requirements of 47 C.F.R. Part 68, Sub-Part F. For proper operation there must be no other telephone equipment connected between the control panel and the telephone company facilities.

NOTE: Do not connect the alarm panel communicator to telephone lines intended for use with a FAX machine. These lines may incorporate a voice filter which disconnects the line if anything other than FAX signals are detected, resulting in incomplete transmissions.

2.3 Keybus Operation and Wiring

The Keybus is used by the panel to communicate with all modules connected and by the modules to talk to the panel. The RED and BLK terminals are used to provide power while YEL and GRN are clock and data.

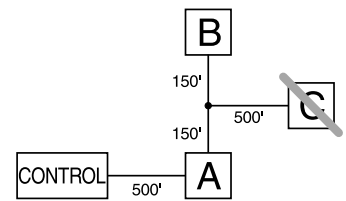
NOTE: The 4 Keybus terminals of the panel must be connected to the 4 Keybus terminals or wires of all modules.

The following conditions apply:

- Keybus should be run in minimum 22 gauge quad (0.5mm), two pair twisted preferred
- the modules can be home run to the panel, connected in series or can be T-tapped
- any module can be connected anywhere along the Keybus, you do not need a separate Keybus wire run for keypads, zone expanders etc.
- no module can be more than 1,000'/305m (in wire length) from the panel
- shielded wire is not necessary unless wires are run in an area that may present excessive RF noise or interference

Example of Keybus Wiring

Module (A) is wired correctly as it is within 1,000'/305m of the panel, in wire distance. Module (B) is wired correctly as it is within 1,000'/305m of the panel, in wire distance. Module (C) is NOT wired correctly as it is further than 1,000'/305m from the panel, in wire distance.



2.4 Current Ratings - Modules & Accessories

In order for the Power864 system to operate properly, the power output capabilities of the main control and expansion devices must not be exceeded. Use the data presented below to ensure that no part of the system is overloaded and cannot function properly.

PC5020 Device Ratings (@ 12 Vdc)

- LCD5500 Keypad: 50 mA
- PC5532 Keypad: 45 mA
- PC5516 Keypad: 45 mA
- PC5508 Keypad: 45 mA
- LCD5500Z Keypad: 85 mA
- LCD5501Z Keypad: 45mA
- PC5532Z Keypad: 85 mA
- PC5516Z Keypad: 85 mA
- PC5508Z Keypad: 85 mA
- PC5108 Zone Module: 35 mA
- PC5108L Downlook Interface: 60 mA
- PC5132 Wireless Module: 125 mA
- PC5200 Output Module: 20 mA
- PC5204 Output Module: 20 mA
- PC5208 Output Module: 50 mA
- Escort5580 Module: 150 mA
- PC5400 Printer Module: 65 mA
- PC5700 Fire Module: 150 mA
- PC5936 Audio Interface Module: 65 mA
- PC5921 Intercom Audio Station: 20 mA
- PC5921 EXT Door Box Audio Station: 20 mA
- PC5921 EXT/R Door Box Audio Station: 35 mA
- DLM-4L v1.0: 180 mA

System Outputs (all 12 Vdc)

PC5020	VAUX:	550 mA. Subtract the listed rating for each keypad, expansion module and accessory connected to VAUX or Keybus.
	BELL:	700 mA. Continuous Rating. 3.0 A. Short Term. Available only with stand-by battery connected.
PC5200	VAUX:	1.0 A. Continuous Rating. Subtract for each device connected. 3.0 A. Short Term. Available only with stand-by battery connected.
	VAUX:	1.0 A. Continuous Rating. Subtract for each device connected. 3.0 A. Short Term. Available only with stand-by battery connected.
PC5204	VAUX:	1.0 A. Continuous Rating. Subtract for each device connected. 3.0 A. Short Term. Available only with stand-by battery connected.
	VAUX:	250 mA. Subtract for each device connected. Subtract the total load on this terminal from the PC5020 VAUX/Keybus output.
PC5108	VAUX:	100 mA. Subtract for each device connected. Subtract the total load on this terminal from the PC5020 VAUX/Keybus output.

Other Devices

Read the manufacturer's literature carefully to determine the maximum current requirement (during activation or alarm) and use this value for loading calculations. Do not allow connected devices to exceed the system capabilities during any possible operational mode.

2.5 Assigning Zones to Zone Expanders

The main panel contains zones 1 to 8. Additional zone expanders may be added to increase the number of zones on the system. Each zone expander consists of one group of 8 zones. Each module must be set to assign the specific zones to the expander. To do this, set the jumpers located on the expander to the proper settings.

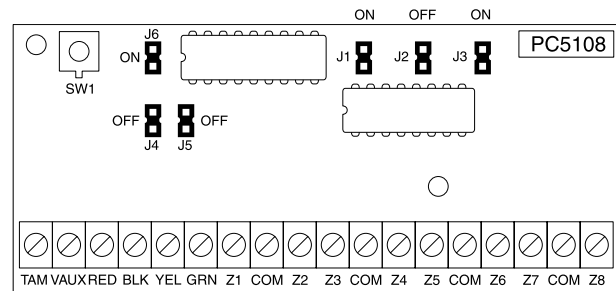
NOTE: Before a zone expander will work properly, you must set the jumpers so the panel can determine the correct zone assignment.

NOTE: Please see the PC5020 Module Compatibility Chart on the back cover for compatible versions.

The following are the jumper settings for different zone assignments for PC5108 v2.0 modules. If you need to enroll PC5108 v1.0, PC5108L, PC5700, or PC5720 modules, Refer to the appropriate module *Installation Instruction Sheet* for the correct jumper settings.

Module Jumpers			System Zones Assigned
J1	J2	J3	
ON	ON	ON	Zones disabled
OFF	ON	ON	Zones 09 - 16
ON	OFF	ON	Zones 17 - 24
OFF	OFF	ON	Zones 25 - 32
ON	ON	OFF	Zones 33 - 40
OFF	ON	OFF	Zones 41 - 48
ON	OFF	OFF	Zones 49 - 56
OFF	OFF	OFF	Zones 57 - 64

The following is a diagram of the PC5108 zone expander module, showing the location of the jumper switches. Refer to the module's Installation/Instruction Sheet for more information.



NOTE: Only jumpers J1, J2, and J3 determine the zone assignment for the module

2.6 Keypad Assignment

There are 8 available slots for keypads. LED (PC55XX) and LCD5501Z keypads by default are assigned to slot 1. The LCD5500Z is assigned by default to slot 8. Keypads can each be assigned to a different slot (1 to 8) which offers two advantages. The panel can supervise the keypad connection to indicate a trouble condition if it is removed. Also keypads can be assigned to operate a specific partition, or to operate as a global keypad.

How to Assign Keypads

NOTE: All keypad assignment must be done at each keypad on the system. When using LCD5500(Z) keypads, one keypad must remain in slot 8. Do not assign more than one keypad to the same slot.

NOTE: Please see the PC5020 Module Compatibility Chart on the back cover for compatible versions.

1. Enter Installer Programming
2. Press [000] for Keypad Programming
3. Press [0] for Partition and Slot Assignment
4. Enter a two digit number to specify the partition and slot assignment.
 - 1st digit enter 0 for Global operation, or enter 1-8 for Partitions 1-8
 - 2nd digit enter 1 to 8 for Slot Assignment
5. Press the [#] key twice to exit programming.
6. Continue this procedure at each keypad until all have been assigned to the correct slot and partition.

How to Program Function Keys

Each of the 5 function keys on each keypad may be programmed for different operation.

1. Enter Installer Programming.
2. Press [000] for Keypad Programming.
3. Enter [1] to [5] to select function key to program.
4. Enter a 2-digit number for function key option - [00] to [21].
5. Continue from step 3 until all function keys are programmed.
6. Press [#] key twice to exit Installer Programming.

For a complete list of Function Key options, see section 4.4 Function Keys on page 16.

2.7 Confirming Module Supervision

By default, all modules are supervised upon installation. Supervision is enabled at all times so that the panel can indicate a trouble if a module is removed from the system.

To check which modules are currently connected and supervised:

1. Press [*] [8] [Installer Code] to enter Installer Programming.
2. Press [903] to display all modules.
3. The LCD keypad will allow you to scroll through the modules.

NOTE: Module supervision will not display correctly at an LCD5500Z v2.x and lower keypad.

In LED keypads, zone lights will be turned on according to what modules the panel has found on the system. Refer to the following chart:

Keypad Light	Module/Device Present
[1]	Keypad 1
[2]	Keypad 2
[3]	Keypad 3
[4]	Keypad 4
[5]	Keypad 5
[6]	Keypad 6
[7]	Keypad 7
[8]	Keypad 8

[9]	Zones 9 to 16
[10]	Zones 17 to 24
[11]	Zones 25 to 32
[12]	Zones 33 to 40
[13]	Zones 41 to 48
[14]	Zones 49 to 56
[15]	PC5100
[16]	Zones 57 to 64
[17]	PC5132
[18]	PC5208
[19]	PC5204
[20]	PC5400
[21]	PC5936
[22]	LINKS2X50/Skyroute™
[23]	DLM-4L v1.0
[24]	Escort5580
[25]	Future Use
[26]	PC520X-1
[27]	PC520X-2
[28]	PC520X-3
[29]	PC520X-4

If a module is connected but does not show as being present, it may be due to any of the following reasons:

- it is not connected to the Keybus
- there is a Keybus wiring problem
- the module is more than 1,000'/305m from the panel
- the module does not have enough power
- the PC5132 does not have any devices added

2.8 Removing Modules

If a module is no longer required on the system, the panel must be told to stop supervising the module. To do this:

1. Remove the module from the Keybus.
2. Press [*] [8] [Installer Code] to enter Installer Programming.
3. Press [902] to enable supervision. The panel will automatically search for all modules on the system, will see that the module has been removed, and will stop supervising it.
4. Once the search is complete (it will take about 1 minute) enter section [903] to confirm that the correct modules are supervised on the system.

2.9 Zone Wiring

For a complete description of the operation of all zone types, see section 5.3 Basic Programming on page 20.

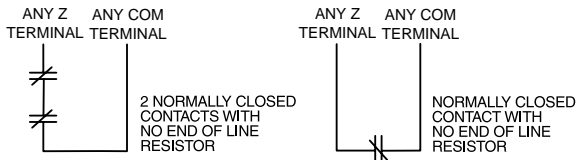
There are several different ways in which zones may be wired, depending on which programming options have been selected. The panel can be programmed to supervise normally closed, End of Line, or Double End of Line loops. Refer to the following sections to study each type of individually supervised zone wiring.

NOTE: Any zone programmed for Fire or 24 Hour Supervisory must be wired with a single End of Line (EOL) resistor regardless of the type of zone wiring supervision selected for the panel (section [013], options [1] and [2]). See Zone Definitions [001] [004]. If you change the zone supervision options from DEOL to EOL or from NC to DEOL (section [013], options [1] or [2]), power the system down completely, and then power it back up for correct operation.

Normally Closed (NC) Loops

To enable normally closed loops, programming section [013], option [1] must be ON.

NOTE: This option should only be selected if Normally Closed (NC) devices/contacts are being used.

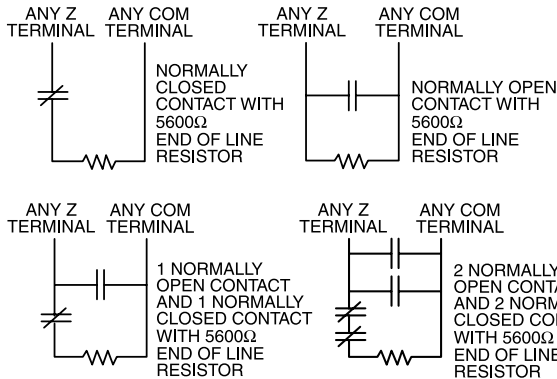


Normally Closed Loops Section [013], Option [1]

Single End Of Line (EOL) Resistors

To enable panel detection of single end-of-line resistors, programming section [013], options [1] and [2] must be OFF.

NOTE: This option should be selected if either Normally Closed (NC) or Normally Open (NO) detection devices or contacts are being used.

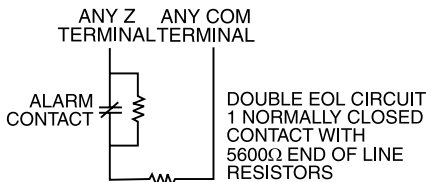


End of Line Resistors Section [013], Option [1]
 Single End of Line Resistors Section [013], Option [2]

Double End of Line (DEOL) Resistors

Double End of Line resistors allow the panel to determine if the zone is in alarm, tampered or faulted.

To enable panel detection of double end of line resistors, programming section [013], option [1] must be OFF and option [2] must be ON.



NOTE: If the Double EOL supervision option is enabled, all hard-wired zones must be wired for Double EOL resistors, except for Fire and 24 Hour Supervisory zones. Do not wire DEOL resistors on keypad zones. Do not use DEOL resistors for Fire zones or 24 Hour Supervisory zones. Do not wire Fire zones to keypad zone terminals if the DEOL supervision option is selected. This option can only be selected if Normally Closed (NC) detection devices or contacts are being used. Only one NC contact can be connected to each zone.

The following chart shows zone status under certain conditions:

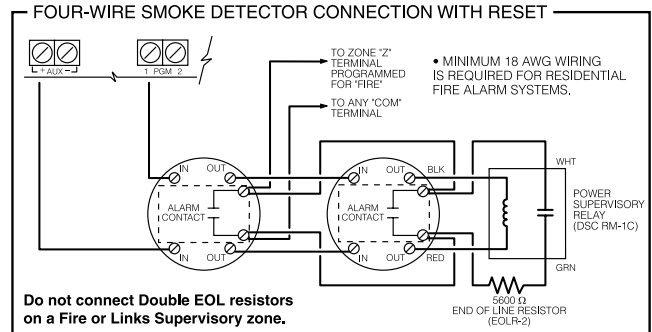
Loop Resistance	Loop Status
0Ω (shorted wire, loop shorted)	Fault
5600Ω (contact closed)	Secure
Infinite (broken wire, loop open)	Tamper

11200Ω (contact open) Violated

End-of-Line Resistors Section [013], Option [1]
 Double End-of-Line Resistors Section [013], Option [2]

Fire Zone Wiring - 4-wire Smoke Detectors

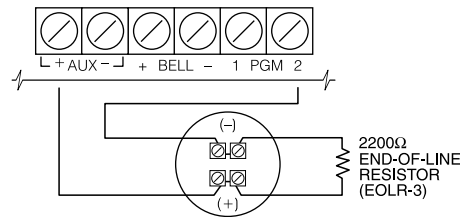
All zones defined as Fire (see section 5.3 Basic Programming on page 20) must be wired according to the following diagram:



For a complete description of how fire zones operate, see section 5.3 Basic Programming on page 20.

Fire Zone Wiring - 2-wire Smoke Detectors

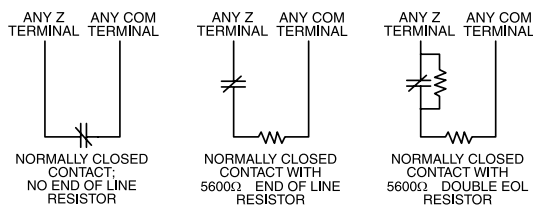
If PGM 2 has been programmed for 2-Wire Smoke Detector connection (see section 5.3 Basic Programming on page 20) , the detectors must be wired according to the following diagram:



For a complete description of how fire zones operate, see section 5.3 Basic Programming on page 20.

Keyswitch Zone Wiring

Zones may be programmed to be used as keyswitch arming zones and must be wired according to the following diagram:



For a complete description of how keyswitch zones operate, see section 5.3 Basic Programming on page 20.

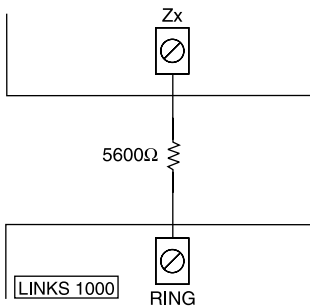
LINKS1000 Supervisory (24 Hour Supervisory)

When using the LINKS1000 cellular communicator, any main board zone may be configured for LINKS1000 Supervisory. Program this zone as zone type (09), 24 Hour Supervisory in section [001].

With a 24 Hour Supervisory zone, if the LINKS1000 experiences a trouble, the zone will be violated, causing the panel to report the event to the central station. This type of zone *always* requires a single EOL resistor (5600Ω). Refer to Links 1000 Installation Manual wiring diagram for installation.

LINKS1000 Answer

If the LINKS1000 cellular communicator is being used a zone may be configured for LINKS1000 Answer to allow downloading to be performed in the event of telephone line failure. When the LINKS1000 receives a telephone call it will activate the RING terminal on the LINKS1000 circuit board. This terminal can be used to violate a zone programmed as (24) LINKS1000 Answer (see section 5.3 Basic Programming on page 20), causing the panel to seize the telephone line and begin communication with the downloading computer. The zone programmed as LINKS1000 Answer ALWAYS requires a single EOL resistor (5600Ω) and must be wired according to this diagram:



NOTE: The LINKS1000 Answer zone is only required for downloading to the panel via the LINKS1000, or for remotely connecting to the Escort5580 module via the LINKS1000.

NOTE: When using the LINKS1000, Busy Tone Detection must not be used.

NOTE: Keypad zones cannot be used for 24 Hour Supervisory or LINKS1000 Answer.

LINKS 2X50/LINKS 3000/Skyroute™

Refer to the LINKSX50, LINKS3000 and Skyroute™ Installation Manuals for wiring and installation details.

2.10 Keypad Zones

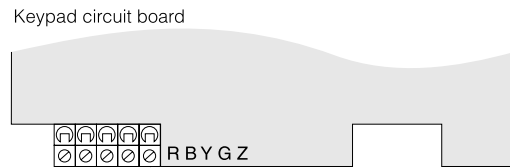
Keypads with zone inputs can be connected to devices such as door contacts. This saves you from running wires back to the control panel for every device.

To install the keypad, open the keypad plastic by removing the screw at the bottom of the unit. Locate the five terminals on the

keypad circuit board. Connect the four Keybus wires from the control panel: the red wire to R, the black to B, the yellow to Y and the green to G.

To connect the zone, run one wire to the Z terminal and the other to B. For powered devices, use red and black to supply power to the device. Run the red wire to the R (positive) terminal and the black wire to the B (negative) terminal.

When using end of line supervision, connect the zone according to one of the configurations outlined in section 2.9 “Zone Wiring” on page 7.



“Z” version keypads are also indicated by a label located on the back of the keypad plastic. The label reads: “Z” version.

NOTE: End of line resistors must be placed on the device end of the loop, not at the keypad.

NOTE: Keypad zones do not support DEOL resistors.

Assigning Keypad Zones

When using keypad zone inputs, each input used must be assigned a zone number in Installer’s Programming.

First, ensure that you have enrolled all installed keypads into the desired slots (see section 2.6 Keypad Assignment on page 7).

Next, enter programming section [020] to assign the zones.

There are eight programming locations in this section, one for each keypad slot. Enter a 2-digit zone number for each of the keypad zones. This number must be entered in the location corresponding to the keypad to which each zone is connected.

NOTE: If a keypad zone input is assigned on zone number from 1 to 8, the corresponding zone cannot be used on the main control panel.

Once the keypad zones are assigned, you must also program zone definitions and zone attributes (See Section 5.3 Basic Programming PWS Sect 3 [001]-[004] and Section 5.4 Advanced System Programming PWS Sect 4 [101]-[164])

Section 3: How to Program

The following section of the manual describes how to enter Installer Programming and how to program the various sections.

NOTE: *It is extremely important that you read the following section of the manual to completely understand how to program the panel.*

3.1 How to Enter Installer Programming

Installer Programming is used to program all communicator and panel options. The **Installer Code** is [5555] at default, but should be changed to prevent unauthorized access to programming.

NOTE: *Once the Installer's Mode is exited, the system will reset. This will take 15 seconds. Do not attempt to perform any system function during this reset period. In addition, all outputs will return to their normal, deactivated state (or activated if inverted).*

LED Keypad

Step 1: From any keypad enter [*][8][Installer Code].

- The 'Program' light will flash to indicate you are in programming
- The 'Armed' light will turn on to indicate the panel is waiting for the 3 digit Section number to program

Step 2: Enter the 3 digit Section number you want to program.

- The Armed light will turn off
- The Ready light will turn on to indicate the panel is ready for the information for the selected Section

NOTE: *If the 3 digit section number entered is not valid or the module that pertains to the Section is not present, the keypad will sound a 2 second beep or error tone.*

LCD Keypad

Step 1: From any keypad enter [*][8][Installer Code].

The Keypad will display 'Enter Section' followed by three dashes.

Step 2: Enter the 3 digit Section number you want to program. The keypad will now display information for the section entered.

.....
Installer Code Section [006]
.....

3.2 Programming Decimal Data

When the Ready light is ON the panel is waiting for the information to be programmed for the selected Section. Enter the information written in the boxes for the Section found in the Programming Worksheets.

If a digit is entered for each program box in a Section the panel will automatically exit from the Section. It will turn OFF the Ready light and turn the Armed light back ON.

You can also press the [#] key to exit a Section before entering data for every box. This is handy if you only need to change the first few program boxes. All other locations in the Section will remain unchanged. If the [#] key is pressed the panel will turn OFF the Ready light, turn ON the Armed light and exit you from the Section.

3.3 Programming Hexadecimal Data

On occasion, hexadecimal (HEX) digits may be required. To program a HEX digit press the [*] key. The panel will enter HEX programming and Ready light will begin to flash.

The following table indicates which number should be pressed to enter the corresponding HEX digit:

1 = A 2 = B 3 = C 4 = D 5 = E 6 = F

After the correct HEX digit is entered the Ready light will continue to flash. If another HEX digit is required press the corresponding number. If a decimal digit is required press the [*] key again. The Ready light will turn on solid and the panel will return to regular decimal programming.

NOTE: *It is important to watch the Ready light. If the light is flashing any number you enter will be programmed as the HEX equivalent.*

Example: To enter 'C1' for a closing by user 1, you would enter [*] [3] [*], [1]

[*] to enter Hexadecimal mode (Ready light flashes)

[3] to enter C

[*] to return to decimal mode (Ready light is solid)

[1] to enter digit 1

If you enter information into a section and make a mistake, press the [#] key to exit the section. Select that section again and re-enter the information correctly.

If you are using a pulse communications format, a decimal zero [0] does not transmit. Programming a zero [0] tells the panel not to send any pulses for that digit. Decimal zero [0] is a filler digit. To make a zero [0] transmit, it must be programmed as a Hexadecimal 'A'.

Example: for the three digit account number '403', you would enter [4], [*] [1] [*] [3], [0].

[4] to enter the digit 4

[*] to enter Hexadecimal mode (Ready light flashes)

[1] to enter A

[*] to return to decimal mode (Ready light is solid)

[3] to enter the digit 3

[0] to enter the digit 0 as a filler digit.

3.4 Programming Toggle Options

Some Sections contain several toggle options. The panel will use zone lights 1 through 8 to indicate if the different options are enabled or disabled. Refer to the Programming Worksheets to determine what each option represents and whether the light should be ON or OFF for your application.

Press the number corresponding to the option to toggle the light ON or OFF.

Once all the toggle options have been selected correctly press the [#] key to exit the Section and save the changes. The panel will turn off the Ready light and turn on the Armed light.

3.5 Viewing Programming

LED and LCD5501Z Keypads

Any programming section can be viewed from an LED or LCD5501Z keypad. When a programming section is entered, the keypad will immediately display the first digit of information programmed in that section.

The keypad displays the information using a binary format, according to the following chart:

See Hex data
entry instructions

Value	0	1	2	3	4	5	6	7	8	9	A	B	C	D	E	F
Zone 1	<input type="checkbox"/>	<input checked="" type="checkbox"/>	<input type="checkbox"/>	<input checked="" type="checkbox"/>	<input type="checkbox"/>	<input checked="" type="checkbox"/>	<input type="checkbox"/>	<input checked="" type="checkbox"/>	<input type="checkbox"/>	<input checked="" type="checkbox"/>	<input type="checkbox"/>	<input checked="" type="checkbox"/>	<input type="checkbox"/>	<input checked="" type="checkbox"/>	<input type="checkbox"/>	<input checked="" type="checkbox"/>
Zone 2	<input type="checkbox"/>	<input type="checkbox"/>	<input checked="" type="checkbox"/>	<input checked="" type="checkbox"/>	<input type="checkbox"/>	<input type="checkbox"/>	<input checked="" type="checkbox"/>	<input checked="" type="checkbox"/>	<input type="checkbox"/>	<input type="checkbox"/>	<input checked="" type="checkbox"/>	<input checked="" type="checkbox"/>	<input type="checkbox"/>	<input type="checkbox"/>	<input checked="" type="checkbox"/>	<input checked="" type="checkbox"/>
Zone 3	<input type="checkbox"/>	<input type="checkbox"/>	<input type="checkbox"/>	<input type="checkbox"/>	<input checked="" type="checkbox"/>	<input checked="" type="checkbox"/>	<input checked="" type="checkbox"/>	<input checked="" type="checkbox"/>	<input type="checkbox"/>	<input type="checkbox"/>	<input type="checkbox"/>	<input type="checkbox"/>	<input checked="" type="checkbox"/>	<input checked="" type="checkbox"/>	<input checked="" type="checkbox"/>	<input checked="" type="checkbox"/>
Zone 4	<input type="checkbox"/>	<input type="checkbox"/>	<input type="checkbox"/>	<input type="checkbox"/>	<input type="checkbox"/>	<input type="checkbox"/>	<input type="checkbox"/>	<input type="checkbox"/>	<input checked="" type="checkbox"/>	<input checked="" type="checkbox"/>	<input checked="" type="checkbox"/>	<input checked="" type="checkbox"/>	<input checked="" type="checkbox"/>	<input checked="" type="checkbox"/>	<input checked="" type="checkbox"/>	<input checked="" type="checkbox"/>

Zone Light OFF
 Zone Light ON

Press any of the Emergency Keys (Fire, Auxiliary or Panic) to advance to the next digit.

When all the digits in a section have been viewed, the panel will exit the section: the Ready Light will turn OFF, and the Armed light will turn ON, waiting for the next three-digit programming section number to be entered.

Press the [#] key to exit the section

LCD Keypad

When a programming section is entered, the keypad will immediately display all the information programmed in that section. Use the arrow keys (< >) to scroll through the data being displayed. To exit the section, scroll past the end of the data displayed, or press the [#] key.

Section 4: Keypad Commands

Use any system keypad to enter commands, or to program the Power864 security system. The LED (PC55XX) and LCD5501Z keypads use function and zone indicator lights to represent alarm functions and status. The LCD5500Z keypad provides a written description on the display and uses function indicator lights to communicate alarm status to the user.

The *Power864 User's Guide* provides basic directions for arming and disarming the system, bypassing zones and performing user functions from the keypads. The following sections provide additional details on these functions.

4.1 Access Codes

All access codes can arm and disarm any partition they are enabled for, and can activate the PGM outputs using the [*][7] commands (see section [*][7] Command Output Functions on page 16).

For instructions on programming access codes, see the *Power864 User's Guide* ("Programming Access Codes").

The available access codes are as follows:

General Access Codes - Access Codes [01] to [32]

Each access code can be used to arm and disarm the assigned partitions. Additional access code attributes are also programmable to determine what abilities the code will have.

You can program partition assignments and access code attributes by following the instructions in this section.

Duress Codes - Access Codes [33] and [34]

When a Duress Code is used to perform any function the panel will send a Duress Reporting Code to the central station (See *Section 5.3 Basic Programming PWS Sect 3 [001]-[004]*) (See *Section 5.6 Communicator Programming PWS Sect 6*)).

Supervisor Codes - Access Codes [41] and [42]

Supervisor Codes can program additional access codes. By default, Supervisor codes have the same partition and attribute programming as the Master code. You can change the partition and attribute programming for these codes by following the instructions in this section.

System Master Code - Access Code [40]

By default the System Master Code is enabled to operate on all partitions, and can perform any keypad function. This code can be used to program all access codes, including the Supervisor Codes and Duress Codes.

If the **Master Code Not Changeable** option is enabled the System Master Code can only be changed using Installer Programming.

Maintenance Code

The maintenance code can only be used to arm and disarm the system. It cannot be used to bypass zones, to access the Escort5580, or to cancel or postpone automatic arming. The code can only be programmed in Installer's Programming.

Programming Partition Assignments and Access Code Attributes

You can enable or disable each access code to work on each partition. Additional access code attributes are also programmable. Attributes determine what abilities the code will have.

By default, each code has the attributes of the code used to program it. For example, if you use the Master code to program other access codes, the new codes will have the same attributes as the Master code. You can change the partition and attribute programming by following the instructions described below.

You cannot change Master code partition or attribute programming. The Master code has all partitions and all attributes turned on, except for the Bell Squawk on Arming/Disarming attribute.

To program which partition(s) each code will work on:

1. Enter [*][5][Master Code][8] to enter partition programming.
2. Enter the 2-digit number of the access code you want to edit.
3. Enter the partition number (1-8) to toggle it on or off.

NOTE: Partition programming is NOT supported at the following keypads: PC5508(Z), PC5516(Z), PC5532(Z) versions v2.00 and lower; LCD5500(Z) version 2.x and lower; LCD5501Z version 1.x and lower.

To program each attribute:

1. Enter [*][5][Master Code][9] to enter the attribute programming mode.
2. Enter the 2-digit number of the access code you want to edit.
3. Enter the attribute number to toggle it on or off.

The programmable attributes are as follows:

- Attributes 1-2: For future use
- Attribute 3: Zone Bypass enabled
This attribute allows the user to bypass zones.
- Attribute 4: Escort5580 Remote Access
This attribute allows the user to access the security system via the Escort, if installed.
- Attribute 5: Downlook Remote Trigger to Telephone Number
1. For use with the Escort5580 and the PC5108L/DLM-4L (see the *PC5108L Installation Manual* for details).
- Attribute 6: Downlook Remote Trigger to Telephone Number
2. For use with the Escort5580 and the PC5108L/DLM-4L (see the *PC5108L Installation Manual* for details).
- Attribute 7: Bell Squawk on Arming/Disarming. When this attribute is turned on, the bell will squawk when the access code is entered to arm or disarm the system. For example, you can use the arm/disarm bell squawk attribute to have wireless key access codes squawk the bell, while other codes are silent. To do this, enable attribute [7] on all access codes associated with wireless keys.

NOTE: If you enable the Bell Squawk on Arming/Disarming option (section [014], option [1]), the bell will sound arm/disarm bell squawks for all access codes, regardless of the programming for attribute [7] (See *Section 5.3 Basic Programming PWS Sect 3 [001]-[004]*)(See *Section 5.4 Advanced Programming Sect 4 [181]-[199]*)).

Installer's Programming - Codes and Options

There are three codes which can be programmed by the installer in Installer's Programming: the **Master code**, the **Installer's code**, and a **Maintenance code**. All other access codes can be programmed through the [*][5] command, as described previously in this section.

The master code can also be programmed by the user as access code (40). However, if the **Master Code Not Changeable**

option is enabled, the master code can only be changed in Installer's programming.

The Maintenance code can only be used to arm and disarm the system. The Maintenance code cannot bypass zones, use [*][9] to arm the system, cancel autoarming, or perform [*][7] command functions. There will be no arm/disarm bell squawks when the Maintenance code is used.

General access codes can arm and disarm the system. When the **Code Required for Bypassing** option is enabled, users will need to enter a valid access code in order to bypass zones. Individual access codes can have the Zone Bypassing attribute disabled under Access Code Attribute programming, as described previously in this section.

.....

Installer's Code.....	Section [006]
Master Code.....	Section [007]
Maintenance Code.....	Section [008]
Master Code Not Changeable.....	Section [015]: [6]
Code Required for Bypassing.....	Section [015]: [5]

.....

4.2 Arming and Disarming

Arming

The system cannot be armed unless the 'Ready' light is on. If the 'Ready' light is not on, ensure all protected doors and windows are secure and stop movement in areas covered by motion detectors.

When the 'Ready' light is on, enter a valid access code. As each digit is pressed the keypad will beep. If an incorrect code is entered, the keypad will emit a steady 2 second beep to indicate that the code was not correct. If the code is correct but the 'Ready' light was not on, the panel will beep six times rapidly followed by a long two second beep to indicate the system was not ready.

When the correct code is entered and the system is ready, the panel beeps six times rapidly, and the 'Armed' light turns on. The panel begins counting down the exit delay. If the **Audible Exit Delay** option is enabled, the keypad will beep every second until the exit delay expires. The keypad will beep rapidly for the last 10 seconds of exit delay to warn the user the system is about to arm. Exit the premises through the designated entry/exit door before the exit delay expires.

Users can restart the exit delay while it is counting down by pressing the Away key. The system will not log the user who restarted the exit delay, unless the **Quick Arming Disabled/Function Keys Require Code** option is turned on (section [015], option [4]).

NOTE: *If the system has been Stay armed, or armed with no entry delay ([*][9]), pressing the Away key will not start an exit delay.*

Other methods of arming are available (See section "[*][0] Quick Arm", "[*][9] Arming without Entry Delay", and section 4.4 "Function Keys").

NOTE: *The PC5020 has a built-in feature called Audible Exit Fault. (See Section 5.3 Basic Programming PWS Sect 3 [001]-[004] for more information.*

Stay and Away Arming

When a user arms the system, if any zones on the system have been programmed as Stay/Away, the panel will immediately turn on the 'Bypass' light. The panel will then monitor all zones programmed as Delay 1 and Delay 2. If no delay type zone is violated by the end of the exit delay (e.g. nobody leaves through the entry/exit door), the panel will bypass all Stay/Away type zones. The panel is now "Stay" armed. The 'Bypass' light will

remain on to inform the home owner that the interior protection is bypassed. This is a convenience for users that want to arm the panel while at home. Using this method, users do not have to bypass the interior zones manually.

Users can add the Stay/Away zones back into the system at any time by entering [*][1] (see section [*][1] Zone Bypassing on page 14), or by using the Away function button.

If a delay zone is violated during the exit delay (e.g. somebody leaves through the designated entry/exit door), **all** zones will be active after the exit delay expires. The panel is now "Away" armed. The 'Bypass' light on the keypad will be off.

Other methods of Stay and Away arming are available (see section 4.4 Function Keys on page 16).

Using the Away Button While Stay Armed

If a partition is armed in Stay mode and a user wishes to leave the premises without having to disarm and re-arm the system, they may press the Away button. The system will begin counting the standard exit delay, allowing the user to leave without actually disarming. The panel will log "Armed in Away Mode" upon completion of the Exit Delay. This feature is useful for users with Wireless Keys with Stay/Away buttons, and who wish to have their panel armed at all times.

Using the Stay Button While Away Armed

Pressing the Stay key while a partition is Away armed will begin the Exit Delay again. The panel will log "Armed in Stay Mode". This feature is useful for users with Wireless Keys with Stay/Away buttons, and who wish to have their panel armed at all times.

NOTE: *If Function Keys require the entering of an access code, a valid access code must be entered to toggle between arming modes. The access code used to perform this function will be logged with "User Log User XX". Swinger Shutdown will be reset if the Stay or Away buttons are pressed while the system is armed.*

Disarming

To disarm the panel, enter the premises through the designated entry/exit door. The keypad will emit a steady beep to warn that you must disarm the system. During the last 10 seconds of entry delay the panel will pulse the keypad beeper on and off rapidly to warn the entry delay is about to expire.

Enter a valid Access Code at the keypad. If an error is made, re-enter the code correctly. When a correct code is entered the keypad will turn off the 'Armed' light and stop the keypad buzzer.

If an alarm occurred while the panel was armed the 'Memory' light and the zones which caused the alarm will be flashing. Press the [#] key to return the keypad to the Ready state.

Event Buffer

The panel will store the last 256 events that have occurred on the system. Each event will contain the time, date, partition and the event itself along with the zone number, access code number or any other information pertaining to the event.

If the **Event Buffer Follows Swinger Shutdown** feature is enabled the event buffer will not store events after the swinger shutdown level has been reached. This will prevent the panel from overwriting the entire buffer if a problem exists (See Section 5.3 Basic Programming PWS Sect 3 [377]). The event buffer can be viewed three different ways. It can be viewed through an LCD keypad, printed on-site using the PC5400 printer module or it can be uploaded through the DLS software.

Viewing the Event Buffer

The following is the procedure for viewing the event buffer through the LCD keypad:

- Step 1 - Enter [*][6] [Master Code]

- Step 2 - Select 'View Event Buffer'

The keypad will display the Event Number, Partition, Time and Date of the event in question. Use the [*] key to toggle between this information and the event itself. Use the arrow keys (<>) to scroll through the events in the buffer.

When you have finished viewing the event buffer press the [#] key to exit.

NOTE: When viewing events for partitions 3 to 8 on an LCD5500 v2.x and lower keypad, they will show as being logged in the "System Area".

4.3 [*] Commands

[*][1] Zone Bypassing

Users can bypass individual zones using the [*] [1] keypad command. This command can be used if users want to have access to an area while the Partition is armed, or to bypass a defective zone (bad contact, damaged wiring) until service can be provided.

A bypassed zone will not cause an alarm. Instructions on zone bypassing can be found in the *Power864 Instruction Manual* ("Zone Bypassing").

When the partition is disarmed, all zones bypassed using [*] [1] will be unbypassed, except for 24-Hr zones.

If the **Code Required for Bypass** option is enabled, an access code will be required to enter the Bypass mode. Only access codes with the Bypass attribute enabled will be able to bypass zones (see section 4.1 Access Codes on page 12).

These features are also available on the [*][1] zone bypassing menu:

- **Bypass Recall:** Press [99] while in the [*][1] menu to recall the last set of bypassed zones.
- **Clear Bypasses:** Press [00] while in the [*][1] menu to clear all bypassed zones.
- **Bypass Groups:** Users can program a group of zones to be bypassed (bypass group). Each partition can have a different

bypass group. To program a bypass group, in the [*][1] menu, select the zones to be bypassed. Press [95] to save the group. To recall the group, press [*][1] followed by [91].

If the Code Required for Bypass option is enabled, the Master code or Supervisor codes must be used to access this feature.

NOTE: If a 24 hour zone is bypassed, ensure that the zone is restored or disabled before removing the bypass.

Code required for bypass Section [015], Option [5]

[*][2] Trouble Display

The panel constantly monitors itself for several different trouble conditions. If a trouble condition is present, the Trouble light will be ON and the keypad will beep twice every 10 seconds. The trouble beep can be silenced by pressing any key on any keypad. If **Bell Squawk on Trouble** is enabled (section [014], option[5]), the bell will squawk every 10 seconds when a trouble condition is present.

NOTE: If there is an AC trouble, the keypad will not beep for a General System Trouble.

To view trouble conditions from an LED or LCD5501Z keypad:

1. Press [*] [2].
2. The keypad will flash the Trouble light. The zone indicator lights corresponding to the present trouble conditions will be ON.

When using an LCD keypad, the trouble conditions will be listed on the display. Users can scroll through the list of present trouble conditions using the arrow (< >) keys.

NOTE: Troubles can be viewed while armed using the LCD keypad, provided the keypad is version 2.0 or later. Older keypads will incorrectly display "Fire Trouble". If using older LCD keypads, program section [013], option [3] as OFF to ensure that troubles are displayed correctly.

The various troubles are described below:

Light	Trouble
1	<p>Service Required: Press [1] to determine the specific trouble. Lights 1 - 8 will light up to indicate the trouble:</p> <ul style="list-style-type: none"> • Light [1] Low Battery: Main panel backup battery charge is low (below 11.5 volts under load). Trouble is restored when the battery charges over 12.5 volts. • Light [2] Bell Circuit Trouble: The bell circuit is open (see section 2.2 Terminal Descriptions on page 4). • Light [3] General System Trouble: One or more of the following troubles has occurred: the PC5204 Power Supply module has an AUX failure, PC5204 Output #1 Trouble, Camera Trouble, Home Automation Trouble, or a printer connected to the PC5400 Printer module has a fault and is off-line. Users can view specific conditions in the Event Buffer. <p>NOTE: To properly clear a Home Automation trouble, you must disable the Home Automation feature in the Escort5580 programming (section [002], option [3]). See the Escort5580 manual for more information.</p> <ul style="list-style-type: none"> • Light [4] General System Tamper: Tamper has been detected in a module. Entering and exiting Installer's Programming will not reset the tampers. All tamper conditions must be physically restored. • Light [5] General System Supervisory: The panel has lost communication with a module connected to the Keybus (see section section 2.7 "Confirming Module Supervision" on page 7). The event buffer will log the event. • All tamper conditions must be physically restored before the trouble condition will clear. • Light [6] Not used. • Light [7] PC5204 Low Battery: The PC5204 module has a low backup battery. • Light [8] PC5204 AC Failure: The PC5204 module has lost AC power. <p>NOTE: If you remove and then restore power to the main panel in order to service any PC5204 module, or any module being powered by a PC5204, you must also remove and then restore power to the PC5204 and any connected modules. This ensures that any troubles present on the module are correctly logged and/or annunciated.</p>
2	<p>AC Failure: AC power is no longer being supplied to the control panel. The Trouble light will flash if an AC Failure is present, if the Trouble Light Flashes if AC Fails option is programmed (section [016], option [2]). This trouble will not be displayed if the AC Trouble Displayed option is disabled (section [016], option [1]). See (See Section 5.6 Communicator Programming PWS Sect 6) for information on AC trouble reporting.</p>

Light	Trouble
3	Telephone Line Monitoring Trouble (TLM): There is a problem with the telephone line. If the system has a LINKS1000, or an Alternate Communicator, this trouble can be reported to the central station by programming reporting codes in sections [349] and [350].
4	Failure to Communicate (FTC): The communicator failed to communicate with any of the programmed telephone numbers (<i>See Section 5.6 Communicator Programming PWS Sect 6</i>).
5	Zone Fault (including Fire Zone): A zone on the system is experiencing trouble, meaning that a zone could not provide an alarm to the panel if required to do so (e.g. a fire zone is open, or there is a short on a DEOL zone, or a supervisory fault on a wireless zone). When a zone fault occurs, the keypad(s) on the system will start to beep. Press [5] while in Trouble mode to view the affected zones. NOTE: A Fire zone trouble will be generated and displayed in the armed state.
6	Zone Tamper: A zone configured for Double End Of Line resistor supervision has a tamper condition, or the tamper switch is open on a wireless device. When a tamper condition occurs, the keypad(s) will start to beep (if the system is armed, an alarm will occur). Press [6] while in the Trouble mode to view the affected zones. If a zone is tampered or faulted, it must be fully restored to clear the trouble. NOTE: Once a zone is tampered or faulted, it must be completely restored before the trouble condition will clear.
7	Device Low Battery: A wireless device has a low battery condition. Press [7] one, two, or three times to view which devices are experiencing battery failure. An LED keypad will indicate battery failure using zone lights. The following will occur: Keypad beeps: Keypad displays: Press [7] 1 Zones with low batteries (LED keypad - zone lights 1 to 32) Press [7] again 2 Handheld keypads with low batteries (LED keypad - zone lights 1 to 4) Press [7] again 3 Wireless keys with low batteries (LED keypad - zone lights 1 to 16)
8	Loss of System Time: When the panel is powered up, the internal clock needs to be set to the correct time. This trouble is cleared when an attempt is made to reset the clock.

[*] [3] Alarm Memory

The 'Memory' light will be on if any alarm occurred during the last armed period or if an alarm occurred while the panel was disarmed (24 hour zones). Instructions on viewing alarms in memory are located in the PC5020 Instruction Manual ("Disarming the System").

[*] [4] Door Chime On/Off

If enabled the keypad will beep 6 times rapidly when a zone is tripped and restored. The panel will only do this for zones with the Door Chime attribute enabled and if the door chime feature is enabled (*See Section 5.4 Advanced Programming PWS Sect 4 {101}-[164]*). The door chime feature is explained in greater detail in the PC5020 Instruction Manual ("Door Chime Feature").

[*] [5] Programming Access Codes

All access codes can be programmed in this section. For complete instructions on programming access codes, see the *Power864 Instruction Manual* ("Programming Access Codes"). For information on access code partition and attribute programming, see section 4.1 Access Codes on page 12.

NOTE: Only one partition at a time can use [*][5] programming.

[*] [6] User Functions

NOTE: Only one partition at a time can use [*][6] programming.

To program user functions, perform the following:

- Press [*] [6] [Master Code]. The keypad will flash the 'Program' light.
- Press the number [1] to [5] for the item to be programmed.
 - [1] - Time and Date**
See the *Power864 Instruction Manual* for instructions on setting the time and date ("Setting the Time and Date").
 - [2] - Auto-Arm Enable/Disable**
Enter [2] to enable (three keypad beeps) or disable (one long beep) the auto-arm feature.
 - [3] - Auto-Arm Schedule**
Enter [3] to change the auto-arm time for each day of the week.
Scroll to the day of the week you want to change, or enter the number of the day (1-7 for Sunday to Saturday). On an

LED keypad, zone lights 1-7 will represent Sunday to Saturday.

When you have selected a day, enter the auto-arm time in 24-hour format (i.e. enter a 4-digit number in [hhmm] format).

The system will return you to the day selection menu. Scroll to the next day you want to program, or to exit auto-arm programming, press [#].

NOTE: To change the auto-arm schedule at another partition, users with access to that partition will have to select the partition on the keypad, before entering the Auto-Arm Schedule menu. See section 4.5 "Global and Partition Keypad Operation" on page 18 for more information.

NOTE: Only LCD5500 v2.0 or greater keypads support the [*][6][3] menu option.

- [4] - System Test**

When [4] is pressed the panel will perform the following. For step-by-step instructions on performing a system test, see the *Power864 Instruction Manual* ("Full System Test").

- sound the alarm output for two seconds
- light all lights and display pixels on the keypad
- sound the keypad buzzer for two seconds
- test the main panel/PC5200/PC5204 battery
- send a System Test Reporting code, if programmed.

- [5] - Enable DLS (Downloading)**

When [5] is pressed the panel will turn on the downloading option for 6 hours. During this time the panel will answer incoming downloading calls (*See Section 5.7 Downloading Options PWS Sect 7*)

- [6] - User Initiated Call-Up**

When [6] is pressed, the panel will initiate a call to the downloading computer.

LCD Keypad User Functions

Additional features are available using on the LCD keypad. These features do not have numbers assigned. Use the arrow keys (< >) to scroll through the [*] [6] menu and press the [*] key to select the following commands.

View Event Buffer: The 256 Event Buffer can be viewed through any LCD keypad.

- **Brightness Control:** When this option is selected the keypad will allow you to scroll through 10 different backlight level options. Use the arrow keys (<>) to scroll to the desired backlight level and press the [#] key to exit.
- **Contrast Control:** When this option is selected the keypad will allow you to scroll through 10 different contrast level options. Use the arrow keys (<>) to scroll to the desired contrast level and press the [#] key to exit.
- **Keypad Buzzer Control:** When this option is selected the keypad will allow you to scroll through 21 different keypad sounder tone options. Use the arrow keys (<>) to scroll to the desired keypad beeper level and press the [#] key to exit. This function can be achieved on LED keypads by holding the [*] key.

[*] [7] Command Output Functions

There are four output functions available to the user. Entering [*] [7] [1-4] [Access Code, if required] will activate any output programmed for options [19]-[22] (respectively). Each function can be performed when the system is either armed or disarmed.

For more information regarding these output types, (See Section 5.8 Programmable Output Programming PWS Sect 8).

[*] [8] Installer Programming

Enter [*][8] followed by the Installer Code to enter Installer Programming (see 10).

[*] [9] Arming Without Entry Delay

When a partition is armed with the [*][9] command the panel will remove the entry delay from the partition. After the exit delay, Delay 1 and Delay 2 type zones will be instant and Stay/Away zones will remain bypassed. (see section 5.3 Basic Programming on page 20).

For more information regarding this feature, see the Power864 User's Guide.

The entry delay can be activated or deactivated at any time while the system is armed by pressing [*][9].

NOTE: Global Delay zones will always have an entry delay, even if the system is armed using [*][9].

[*] [0] Quick Arm

If the Quick Arm Enable option is enabled the panel can be armed by entering [*][0]. This is a useful method of arming a Partition when someone without a access code will be required to arm a Partition.

NOTE: The Quick Arm feature must be enabled in order for the Stay/Away function keys to operate as intended. If the feature is not enabled, the user will be required to enter their access code after pressing the Stay or Away function key in order to arm the system in the stay or away mode.

[*] [0] Quick Exit

Quick Exit will allow someone to leave an armed premise through a Delay type zone without having to disarm and rearm the system.

When [*][0] is entered, if the Quick Exit Enabled option is enabled, the panel will provide a two minute window to exit. During this time the panel will ignore the first activation of a Delay type zone. When the Delay zone is secured the panel will end the two minute time period.

If a second Delay zone is tripped, or if the zone is not restored after two minutes, the panel will start entry delay.

NOTE: If Quick Exit is used on a partitioned system, Keypad Blanking and Access Code Required to Remove Blanking should be enabled.

..... Section [015], Option [4]
 Quick Exit Enable Section [015], Option [3]

4.4 Function Keys

There are five function keys on the PC5020 keypads labelled Stay, Away, Chime, Reset and Exit. The operation of these keys is described below. The function is activated by pressing and holding the key for 2 seconds.

“Stay” - Stay Arm

Arms the partition to which the keypad is assigned. All Stay/Away type zones will be automatically bypassed. Delay type zones will provide entry and exit delay. The Quick Arm feature must be enabled for this key to function (Section [015], Option [4]). If Quick Arming is not enabled, the user must enter their access code after pressing the function key in order to arm the system in the Stay mode.

“Away” - Away Arm

Arms the partition to which the keypad is assigned. All Stay/Away type zones will be active at the end of the exit delay. Delay type zones will provide entry and exit delay. The Quick Arm feature must be enabled for this key to function (Section [015], option [4]). If Quick Arming is not enabled, the user must enter their access code after pressing the function key in order to arm the system in the Away mode.

“Chime” - Door Chime On/Off

Pressing the key will toggle the Door Chime feature ON or OFF. One solid beep means the feature has been disabled, three short beeps means it has been enabled.

“Reset” - Reset Smoke Detectors

Pressing this key will cause the panel to activate for 5 seconds any output programmed as Sensor Reset. (see section [*] [7] Command Output Functions on page 16).

“Exit” - Activate Quick Exit

Pressing this key will cause the panel to activate the Quick Exit feature (see section [*] [0] Quick Exit on page 16).

Function Key Options

The programming of any function key on any keypad may be changed to one of the options listed below. (See section 2.6 “Keypad Assignment” on page 7 for instructions on changing function key programming.)

[00] - Null Key

The key is not used and will perform no function when pressed.

[01] - Select Partition 1

Provides an easy way to select Partition 1. This is the same as pressing and holding the [#] key then pressing and holding the [1] key to select Partition 1 (see section 4.5 Global and Partition Keypad Operation on page 18).

[02] - Select Partition 2

Provides an easy way to select Partition 2. This is the same as pressing and holding the [#] key then pressing and holding the [2] key to select Partition 2 (see section 4.5 Global and Partition Keypad Operation on page 18).

[03] - Stay Arm

Same as described in Function Keys - Section 3.5.

[04] - Away Arm

Same as described in Function Keys - Section 3.5.

[05] - [*][9] No-Entry Delay Arm

After this function key is pressed the user must enter a valid access code. The Partition will arm and remove entry delay from

the partition when the exit delay expires (see section [*] [9] Arming Without Entry Delay on page 16).

[06] - [*]+[4] Door Chime On/Off

This function key provides the user a simple method for turning the Door Chime feature on and off (see section [*] [4] Door Chime On/Off on page 15).

[07] - [*]+[6]...[4] System Test

This function key provides the user with a simple method for testing the system (see section [*] [6] User Functions on page 15). A valid Master Code is required to perform this command.

[08] - [*]+[1] Bypass Mode

This function key provides the user with a simple method for entering the Bypass Mode. If a access code is required it must be entered before bypassing can be performed (see section [*][1] Zone Bypassing on page 14).

[09] - [*]+[2] Trouble Display

This function key provides the user with a simple method for entering the Trouble Display Mode (see section [*][2] Trouble Display on page 14).

[10] - [*]+[3] Alarm Memory

This function key provides the user with a simple method for entering the Alarm Memory Display Mode (see section [*] [3] Alarm Memory on page 15).

[11] - [*]+[5] Programming Access Codes

This function key provides the user with a simple method for programming access codes. After this key is pressed a valid System Master or Supervisor Code will have to be entered before the panel will allow programming to be performed (see section [*] [5] Programming Access Codes on page 15).

[12] - [*]+[6] User Functions

This function key provides the user with a simple method for programming User Functions. After this key is pressed a valid System Master or Partition Master must be entered before the panel will allow User Functions to be performed (see section [*] [6] User Functions on page 15).

[13] - [*]+[7]+[1] Command Output Option 1

This function key provides the user with a simple method for activating a PGM Output programmed as Command Output Option 1 (See Section 5.8 Programmable Output Programming PWS Sect 8). By default, after this key is pressed a valid access code must be entered (see section [*] [7] Command Output Functions on page 16).

[14] - [*]+[7]+[2] Smoke Detector Reset

This function key provides the user with a simple method for activating a PGM output programmed as either option [03] Sensor Reset or [20] Command Output option 2.

[15] - General Voice Prompt Help

This feature can only be programmed if both the Escort5580 and the PC5936 Audio Matrix module are being used.

When the function key is pressed, the intercoms will perform a Help page. The user must then press the Page/Answer button on any intercom station to begin the help session with the Escort.

For more information, Refer to the *PC5936 Installation Manual*.

NOTE: While the voice prompt help is active, users will not be able to disarm the system using Wireless Keys.

[16] - [*]+[0] Quick Exit

Same as described in Function Keys - Section 3.5.

[17] - [*]+[1] Reactivate Stay/Away Zones

This function key provides the user with a simple method for adding Stay/Away zones back into the system (see section [*][1] Zone Bypassing on page 14).

[18] Identified Voice Prompt Help

This feature can only be programmed if the Escort5580 and the PC5936 Audio Matrix module are being used.

When the function key is pressed, the Escort will begin a help session from the intercom station programmed as closest to the keypad. In order for this option to function, you must program PC5936 Section [802], subsection [14] "Keypad Port Assignments." For more information, Refer to the *PC5936 Installation Manuals*.

NOTE: This function key cannot be programmed for PC55XXZ LED keypads with software version 1.0.

NOTE: While the voice prompt help is active, users will not be able to disarm the system using Wireless Keys.

[19] - [*]+[7]+[3] Command Output 3

[21] - [*]+[7]+[4] Command Output 4

Function Keys [19] and [21] provide the user with a simple method of activating an output programmed as Command Output Option 3 or 4.

[22] - Active Camera Monitor Selection

This function key is for use with the PC5108L Downlook Interface/Camera Monitor Module. For instructions on the function key use, see the *PC5108L Installation Manual*.

[23] - Bypass Recall

Pressing this function key will recall the last group of bypassed zones. The function key will follow the Code Required for Bypass option. If the option is enabled, a valid access code with the Bypass attribute enabled must be entered after the function key is pressed. For instructions on zone bypassing, see the *Power864 Instruction Manual*.

[24] - Recall Bypass Group

This function key will recall zones in the Bypass Group for the partition. This group is programmed by the user in the [*][1] Bypass menu. The function key will follow the Code Required for Bypass option. If the option is enabled, a valid access code with the Bypass attribute enabled must be entered after the function key is pressed. For instructions on zone bypassing and programming Bypass Groups, see the *Power864 Instruction Manual*.

[25]-[26] - For future use

[27] - Select Partition 3

[28] - Select Partition 4

[29] - Select Partition 5

[30] - Select Partition 6

[31] - Select Partition 7

[32] - Select Partition 8

These keys provide users with an easy way to select one of the above partitions. For example, this is the same as pressing and holding the [#] key, then pressing and holding the [3] key to select Partition 3 (see section 4.5 Global and Partition Keypad Operation on page 18).

4.5 Global and Partition Keypad Operation

A global keypad will display limited information until a partition is selected: the Trouble light will turn on if a trouble condition is present, and the Armed light will turn on if all the partitions are armed. To select a partition the user must press and hold one of keys [1] - [8] for two seconds, depending on which partition they want to access. (e.g. press and hold [2] for Partition 2). The keypad will then display the status of the selected partition and allow normal operation.

A Partition keypad will display the status of the Partition it is assigned to. A user with access to more than one partition may temporarily assign the keypad to another partition to gain access. To do this the user must first press and hold the [#] key for two seconds. The keypad will go blank. The user must then press and hold one of keys [1] - [8] for two seconds, depending on which partition they want to access (e.g. press and hold [2] for Partition 2). The keypad will then display the status of the selected partition and allow normal access.

Section 5: Programming Sections

The structure of this section corresponds with the structure of the Programming Worksheets (PWS) and is intended to be used with them. Paragraph 5.1 corresponds with Section 1 etc. Table 5-1 references the paragraphs in this section with the corresponding location in the *Programming Worksheets*.

Table 5-1 - SECTION 5 CONTENTS					
Sect	Item	Pg	Sect	Item	Pg
	For the Record	20	378	Test Transmission Time of Day	45
	Keypad Programming	20	380	First Communicator Option Code	46
	Basic Programming	20	381	Second Communicator Option Code	47
001-004	Zone Definitions	20	382	Third Communicator Option Code	47
005	System Times	22	390	LINKS1000 Preamble (First Telephone Number)	48
006-008	Special Access Codes	22	391	LINKS1000 Preamble (Second Telephone Number)	48
009-011	Programmable Output Options	22	392	LINKS1000 Preamble Third Telephone Number)	48
012	Keypad Lockout Options	25	393	LINKS1000 Special Function Preamble (All Phone Nos.)	48
013	First System Option Codes	26		Downloading Options	49
014	Second System Option Codes	27	401	First Downloading Option Code	50
015	Third System Option Codes	28	402	Downloading Computer's Telephone Number (32 Digits)	50
016	Fourth System Option Codes	29	403	Downloading Access Code	50
017	Fifth System Option Codes	30	404	Panel Identification Code	50
018	Sixth System Option Codes	31	405	Answering Machine Double Call Timer	50
020	Keypad Zone Assignments	33	406	Number of Rings to Answer On	50
030	Zone Loop Response Option Code	33	490	Links Preamble (Downloading Telephone Number)	50
	Advanced System Programming	33	499	Initiate PC-Link Downloading	50
101-164	Zone Attributes	34		Programmable Output Programming	51
165-178	System Timers	34	501-502	Main Board	51
181-188	Automatic Arming Schedule	34	503-504	Main Board / PC5208	51
190-198	No Activity Arming Pre-Alert	34	505-510	PC5208	51
199	Auto Arming Pre-Alert Timer	34	511-514	PC5204	51
	Partition and Zone Programming	35	551-552	Main Board	51
201	Partition Selection Mask	35	553-554	Main Board/PC5208	51
202-265	Assigning Zones to Partitions	35	555-560	PC5208	51
	Communicator Programming	35	561-564	PC5204	51
301-304	Telephone Numbers	36		International Programming	52
310	System Account Code	36	700	Clock Adjust	52
311-318	Partition Account Code	36	701	First International Options Code	52
320-323	Alarm Reporting Codes, Zones 01-64	37	702	Second International Options Code	53
324-327	Alarm Restoral Reporting Codes, Zones 01-64	37	703	Delay between Dialing Attempts	53
328	Miscellaneous Alarm Reporting Codes	37		Module Programming	53
329	Priority Alarm and Restoral	37	801	PC5400 Printer Module Programming	53
330-333	Tamper Reporting Codes, Zones 01-64	37	802	PC59XX Audio Interface Programming	53
334-337	Tamper Restoral Reporting Codes, Zones 01-64	37	803	Alternate Communicator Programming	53
338	Miscellaneous Tamper Reporting Codes	37	804	PC5132	53
339-340	Closing (Arming) Reporting Codes, Access Codes 1-32	37	805	PC5100	53
341	Miscellaneous Closing (Arming) Reporting Codes	37	806	PC5108L	53
342-343	Opening (Disarming) Reporting Codes, Codes 1-32	38		Special Installer Functions	55
344	Miscellaneous Opening (Disarming) Reporting Codes	38	901	Installer Walk Test Mode Enable / Disable	55
345	Maintenance Alarm Reporting Codes	38	902	Module Supervision Reset	55
346	Maintenance Restoral Reporting Codes	38	903	Module Supervision Field	55
347	Miscellaneous Maintenance Reporting Codes	39	904	Wireless Module Placement Test	55
348	Test Transmission Reporting Codes	39	906	Local Test of Downlook Remote Trigger	55
349	PC5700 Maintenance Reporting Codes	40	990	Installer Lockout Enable	55
350	Communicator Format Options	40	991	Installer Lockout Disable	56
351-358	Alarm/Restore Communicator Call Directions	43	993	Restore Alternate Communicator Default Programming	56
359-366	Tamper/Restore Communicator Call Directions	43	995	Restore Escort5580 to Factory Default Programming	56
367-374	Opening/Closing Communicator Call Directions	43	996	Restore PC5132 to Factory Default Programming	56
375	System Maintenance Communicator Call Directions	43	997	Restore PC5400 to Factory Default Programming	56
376	System Test Transmissions Communicator Call Directions	44	998	Restore PC5936 to Factory Default Programming	56
377	Communication Variables	44	999	Restore PC5020 to Factory Default Programming	56

5.1 For the Record

This Section identifies the Client, Installation Date, Installers Code, Hardware configuration and Programming summary for each zone. Remove these pages and retain for reference.

5.2 Keypad Programming

Refer to Section 2.6 'Keypad Assignment'

5.3 Basic Programming

[001]-[004] - Zone Definitions

These sections require 16 two digit entries. Each two digit number entered determines how a zone will operate.

NOTE: In addition to selecting how each zone will operate, attributes may be programmed by zone (See Section 5.4 Advanced Programming PWS Sect 4 [101]-[164]).

[001]-[004] ZONE DEFINITIONS		
Option	Zone Type	Description
00	Null Zone	For zones that are not used and do not require a closed loop or EOL resistor
01	Delay 1	Follows the Entry Delay 1 and Exit Delay programmed in Section [005] and is normally used for Entry/Exit doors. The exit delay starts as soon as the panel is armed. The zone may be opened and closed during the delay time without causing an alarm. After the exit delay time has expired, opening the zone will start the Entry Delay timer. During the Entry Delay time, the keypad buzzer will sound steadily to advise the user that the system should be disarmed. If the panel is disarmed before the Entry Delay expires, no alarm will be generated.
02	Delay 2	Operates the same as Type [01] zone except the Entry Delay time can be independently set in Section [005]. The Exit Delay time is common to both zone types.
03	Instant	Normally used for door and window contacts and has the standard Exit Delay, but is instant when opened after the Exit Delay expires
04	Interior	Used with interior motion detectors. Interior zones feature an Exit Delay and an Entry Delay provided that any Delay type zone has been tripped first. If the protected area is entered without coming through the a delayed entrance and an Interior zone is tripped, an immediate alarm will be generated
05	Interior Stay/Away.	If the system is armed and a Delay zone is NOT tripped during the exit delay time, this zone type will be bypassed. If the [*][1] command is used to activate all Stay/Away type zones, this zone will have the standard exit delay. Once armed, this zone will act like an Interior type zone [04].
06	Delay Stay/Away	If the system is armed and a Delay zone is NOT tripped during the exit delay time, this zone type will be bypassed. If the [*][1] command is used to activate all Stay/Away type zones, this zone will have the standard exit delay. Once armed, this zone will follow the Entry Delay time for Entry Delay 1 when tripped. NOTE: The automatic bypass on Stay/Away type zones will not be removed by any event other than a valid exit through a non-Global Delay type 1 zone during the exit delay or by pressing [*][1] while armed.
07	Delayed 24 Hour Fire (Hardwired)	Operates the same as the standard Fire zone, except the alarm memory and transmission by the communicator is delayed by 30 seconds. If the alarm is acknowledged by pressing any key within 30 seconds, the bells will silence and the transmission will be aborted. If the alarm has been acknowledged, and the smoke detector has not been restored to normal, the bell output will activate after 90 seconds, the user then has another 30 second delay before the bell output latches and communications is activated. A code is then required to silence the bell output. NOTE: The Fire Delay will be terminated if a 2nd Fire zone is tripped or if the [F] key is pressed during a delay.
08	Standard 24 Hour Fire (Hardwired)	This Fire Zone is specifically used for pull station type circuits. On alarm, the bell output will sound to indicate that the fire loop has been activated. If enabled, the communicator will immediately transmit the alarm to the monitoring station. NOTE: DO NOT change the Zone Attributes of Fire type zones from the default settings.
09	24 Hour Supervisory	This zone is active at all times and will report an alarm at all times. This zone is similar to a fire zone; the Supervision Options (NC, EOL, DEOL) do not affect the functionality of the zone. The restored state of this zone type is 5.6KΩ, the Alarm state is short and the Trouble state is open. When used with the LINKS module as a LINKS Supervision zone, a 5.6KΩ resistor must be placed across the LINKS' SPGM terminal and Ground. There must also be a direct connection between the SPGM terminal and the zone terminal. Normally, the SPGM terminal would be High, therefore presenting the 5.6KΩ to the zone input. If the SPGM terminal switched to ground to signal a LINKS trouble, the zone input would read 0 Ω, therefore generating the Zone Alarm. If the connection between the LINKS and the panel was cut, the zone input would read an open circuit, generating the Zone Trouble. NOTE: This zone type must not be used for wireless zones.
10	24 Hour Supervisory Buzzer	This zone is active at all times and will report an alarm at all times. Once tripped, the keypad buzzer will sound until a valid access code is entered. NOTE: This zone type should not be used on a Keyswitch ONLY system
11	24 Hour Burglary	This zone is active at all times and will report an alarm if the panel is armed or disarmed. This zone will sound the bell for the length of 'Bell cutoff' if the audible attribute is enabled.
12	24 Hour Holdup	Similar to 24 Hour Burglary except for System Event output type and SIA identifier.
13	24 Hour Gas	Similar to 24 Hour Burglary except for System Event output type and SIA identifier
14	24 Hour Heat	Similar to 24 Hour Burglary except for System Event output type and SIA identifier.
15	24 Hour Medical	Similar to 24 Hour Burglary except for System Event output type and SIA identifier
16	24 Hour Panic	Similar to 24 Hour Burglary except for System Event output type and SIA identifier.
17	24 Hour Emergency	Similar to 24 Hour Burglary except for System Event output type and SIA identifier
18	24 Hour Sprinkler	Similar to 24 Hour Burglary except for System Event output type and SIA identifier
19	24 Hour Water	Similar to 24 Hour Burglary except for System Event output type and SIA identifier
20	24 Hour Freeze	Similar to 24 Hour Burglary except for System Event output type and SIA identifier.

[001]-[004] ZONE DEFINITIONS											
Option	Zone Type	Description									
21	24 Hour Latching Tamper.	This zone type, when violated, will cause arming of the system to be inhibited until the valid Installer code is entered. If this zone type is violated, the Installers code must be entered ([*][8] Installers Code) before the system can be armed.									
22	Momentary Key-switch Arm.	A keyswitch module may be connected to the zone programmed as Momentary Keyswitch arm. Momentary activation of this zone to the alarm state will alternatively arm and disarm the system and silence alarms. Tamper and Faults will only initiate their respective trouble sequence. NOTE: <i>The keypad will not display an indication when this type of zone is activated.</i>									
23	Maintained Key-switch Arm	A Normally Open Keyswitch module may be connected to the zone programmed as Maintained Keyswitch arm. In the restored state, the panel is disarmed. Only the violation of this zone type to the alarm state will make the panel arm. Tamper and Faults will only initiate their respective trouble sequence									
24	LINKS Answer	Provides the LINKS with a forced answer for downloading. This zone is similar to a fire zone; the Supervision Options (NC, EOL, DEOL) do not effect the functionality of the zone. The Restored state of this zone type is 5.6KΩ, and the open state causes the panel to answer. A 5.6KΩ resistor must be placed across the LINKS' RING terminal and zone terminal. Normally, the RING terminal would be ground, providing 5.6KΩ to the zone input. If the RING terminal opens, the panel will seize the telephone line. NOTE: <i>This zone type must not be used for wireless zones.</i>									
25	Interior Delay Zone	The Interior Delay Zone is normally used with motion detectors and has a standard exit delay time. If the panel is armed, and a Delay zone is violated during the Exit Delay (or the Away function key is used), the Interior Delay Zone will be active at the end of the Exit Delay. This zone will cause an instant alarm when violated. This zone type will follow the Entry Delay time provided that a Delay zone is violated first. If the panel is armed, and a Delay zone is NOT violated during the Exit Delay (or the Stay function key is used, or [*][9] armed), a violation of this zone type will initiate Entry Delay 1.									
26	24 Hour Non-Alarm	These zones are active at all times but do not cause an alarm, and do not show up in alarm memory. Zone Attributes such as Zone Bypassing and Door Chime affect the functionality of this zone. A 24 Hour Non-alarm zone may be used for Zone Follower automation applications. NOTE: <i>This zone type will be active in Walk Test. Tamper and Faults. Zones programmed as 24 Hour Non-alarm type will not cause alarms. Alarms on this zone will not initiate Download</i>									
27	Delayed 24Hr Water-flow	These zones will follow the waterflow Delay Timer. When a delayed waterflow zone is violated, the waterflow timer will start, (any subsequent delayed waterflow zones that become active do not reset or abort this timer). If there are still delayed waterflow zones open when the waterflow timer expires, the panel will go into alarm and communicate the event(s) regardless of the armed state.									
28	Instant 24Hr Water-flow	A Waterflow alarm is a Fire alarm. The Fire related bells and Aux functions are activated. This Zone type functions similar to Type 27 (Delayed 24Hr Water-flow), but does not follow the Water-flow Delay Timer. When this zone is violated, it will immediately go into alarm. This zone type always uses a single EOL configuration.									
29	Auto Verified Fire Zone	The control panel will cycle power to a smoke detector or device to ensure the alarm condition is still present when power is restored. The alarm sequence for the zone is indicated below: <table border="0" style="margin-left: 20px;"> <tr> <td>Step #1</td> <td>Duration 20 Seconds</td> <td>Sensor Reset</td> </tr> <tr> <td>Step #2</td> <td>Duration 10 Seconds</td> <td>Settle Time (Power Up)</td> </tr> <tr> <td>Step #3</td> <td>Duration 60 Seconds</td> <td>Check for Verified Alarm</td> </tr> </table> NOTE: <i>If another Fire device detects Fire during the Auto Verify or Delay sequence, the sequence is terminated and alarms are immediately generated for all pending zones. This applies to all other Fire zones on the system regardless of the partition assignments (i.e. two fire alarms anywhere on the system will cancel all pending fire delays and create immediate alarms).</i>	Step #1	Duration 20 Seconds	Sensor Reset	Step #2	Duration 10 Seconds	Settle Time (Power Up)	Step #3	Duration 60 Seconds	Check for Verified Alarm
Step #1	Duration 20 Seconds	Sensor Reset									
Step #2	Duration 10 Seconds	Settle Time (Power Up)									
Step #3	Duration 60 Seconds	Check for Verified Alarm									
30	Fire Supervisory Zone	When this zone is violated, the system turns on the keypad buzzer, and communicates the supervisory alarm condition to the monitoring station. The buzzer will not follow the Bell-Time-Out timer. To silence the buzzer, a valid access code must be entered. NOTE: <i>The fire supervisory alarm is not affected by the water-flow silence inhibit option described in [018], Sixth Option Codes, Pg 33</i>									
31	Day Zone	A zone programmed with this type has different characteristics in the armed and disarmed state. In the disarmed state, violating this zone will sound the keypad buzzer but will not log or report the event. In the armed state, violating this zone will sound the bell and communicate the event..									
87	Delayed 24 Hour Fire (Wireless)	Used only with wireless smoke detectors. Functions same as that of Zone Type [07].									
88	Standard 24 Hour Fire (Wireless)	Used only with wireless smoke detectors. Functions same as that of Zone Type [08].									

[005] - System Times

This section has 9 sub-sections, 1 for each of the 8 partitions, and 1 for the Bell timeout. A 2-digit entry is required to access these sub-sections.

NOTE: Entry of 000 in these sections will result in a 255 second time.

Sub-Sections 1-8 each require three 3-digit entries.

[01] - [08] Entry Delay 1, Entry Delay 2, and Exit Delay per Partition.

- **Entry Delay 1:** (030-255) Seconds

This value determines the Entry delay time for Delay 1 type zones.

- **Entry Delay 2:** (030-255) Seconds

This value determines the Entry delay time for Delay 2 type zones.

- **Exit Delay:** (045-255) Seconds

This value determines the Exit delay time when arming the system.

NOTE: If the Exit Delay is silent (Section 014, Option 6 or Stay Function Key Arming) the Exit Delay will be twice the programmed value (090-510 seconds).

[09] Bell Cut-off: (001-255) Minutes

The Bell Cut-off for all 8 partitions is one entry.

The siren will silence after the number of minutes programmed for the **Bell Cut-off** time have passed. The default Bell Cut-off is 4 minutes

The panel supervises the Bell output. If an open condition is detected, the panel will immediately indicate a trouble condition by beeping the keypad twice every 10 seconds to alert the owner of the problem. The panel can send a **Bell Circuit Trouble** and **Trouble Restoral** reporting codes to indicate the situation (See Section 5.6 Communicator Programming PWS Sect 6).

If the **Temporal Three Fire Signal** option is enabled, all Fire signals will follow the Temporal Three Pattern as described in NFPA 72. If turned OFF all Fire signals will sound a one second on, one second off cadence.

If **Fire Bell Continuous** is enabled, the alarm output will sound until a code is entered. If disabled, the alarm will sound until a code is entered or the bell cut-off time has expired.

NOTE: Only fire zones will follow the Temporal Three Fire Signal.

.....

Bell Cut-offSection [005]

Bell Circuit Trouble Reporting CodeSection [349]

Bell Circuit Trouble Restoral Reporting CodeSection [350]

Temporal Three Fire Signal
Enable/DisableSection [013], Option [8]

Fire Bell ContinuousSection [014], Option [8]

.....

[006]-[008] Special Access Codes

These sections require 4 or 6 digits to be entered.

[006] - Installer's Code.

.....

Installer Lockout EnableSection [990]

Installer Lockout DisableSection [991]

.....

[007] - Master Code.

[008] - Maintenance Code.

This is a Arm/Disarm only code. It can not be used to bypass, activate [*][7] outputs, program other user codes or enter the [*][6] menu. It can access and arm through the ESCORT5580. Openings or Closings using this code report as a Special Opening/Closing and will log to the event buffer as "Maintenance Code".

[009]-[011] Programmable Output Options

Programmable Outputs are programmed with a two digit code indicated in the table below. Programmable outputs are available on the following devices:

- PGM 1, PGM 2, PGM 3, and PGM 4 on the PC5020 main board
- 8 low current outputs available with the PC5208 Output Module
- 4 high current outputs available with the PC5204 Power Supply/Output Module
- Section [009] is used to program the PGM outputs on the PC5020.
- The first two entries of Section [010] are used to program the last two outputs on the PC5020, and the first two on the PC5208.
- Section [010] is used to program the PGM outputs on the PC5208.
- Section [011] is used to program the PGM outputs on the PC5204.

Programming any of the outputs is a three step process:

1. Select an option from the list below for the PGM output.
2. Select the output attributes for the PGM output.
3. Select the partitions that the PGM output will operate on.

The following is a list of the programmable output options and attributes.

.....

PGM Attribute ProgrammingSection [501]-[564]

.....

[009] - [011] PROGRAMMABLE OUTPUT OPTIONS		
Option	Output	Description
01	Burglary and Fire Bell Follower	<p>This output will activate when the alarm output is active (switch to ground) and will turn off when the alarm output is silenced. If the alarm output is pulsing, the PGM output will pulse as well. This PGM output will follow:</p> <ul style="list-style-type: none"> • Fire Pre-alerts • Temporal Three Fire Signal (if enabled) • All Burglary and Fire Alarms by Partition • Bell Cut-Off time <p>This output will NOT follow Bell Squawks of any kind. The Main Bell will still activate for all alarms; the PGM output will only activate for alarms for the partition it is assigned to.</p> <p>NOTE: The Fire Bell has precedence over Burglary. If a fire alarm occurs on Partition X, and Partition Y already has a Burglary Alarm active ("Burg" PGM active on Partition Two), the Fire and Burg output on Partition Y will pulse ("Fire" PGM) with the Main Bell. Silent alarms will be audible if the either Partition is in an audible alarm condition.</p>
02	Not Used	For Future Use

[009] - [011] PROGRAMMABLE OUTPUT OPTIONS										
Option	Output	Description								
03	Sensor Reset	<p>This output will normally be active (switched to ground). This option is used to reset power for latching smoke detectors. The output will deactivate for five seconds when the [*] [7] [2] command is entered (see section [*] [7] Command Output Functions on page 16). The keypad buzzer will not sound for the five second period. Refer to the Control Panel Wiring Diagram in this manual for wiring instructions.</p> <p>NOTE: Only ONE of options [03] Sensor Reset and [20] [*] [7] [2] Command Output Option #2 may be programmed on the same system.</p> <p>When this option is selected, the PGM output is normally low. That is it is the reverse of all other options which are normally high and go low when activated. This option is normally used as the negative return for power to 4-wire smoke detectors (positive comes from the Aux + terminal). To activate this output (to reset smoke detectors), enter the [*][7][2] command. The PGM terminal will go high (open circuit), and thus remove power from the devices connected. Refer to the hookup diagram at the back of the manual for instructions on connecting 4 wire smoke detectors.</p>								
04	Two-Wire Smoke Reset (PGM2 only)	<p>When this option is selected, the PGM functions much like option 03 in that it is normally low supplying the negative return. However, 2 Wire smoke detectors can be supported which means that a zone input does not need to be used. The PGM terminal also supervises the input and generates a trouble condition with the absence of a 2.2KΩ resistor between it and the Aux + terminal. The two wire smoke detector input is an instant and latching alarm.</p>								
05	System Armed Status	<p>The output will activate (switch to ground) when the Partition or System is armed and deactivate when disarmed. If this output is assigned to both partitions, all partitions must be Armed for the output to activate.</p>								
06	Ready To Arm	<p>The output will activate (switch to ground) when the Partition or System is ready to arm (all non-force armable zones on the system are restored). The output will deactivate when an access code is entered to arm the system and the exit delay begins.</p>								
07	Keypad Buzzer Follow	<p>This output will activate (switch to ground) when any of the following events occur and will remain active for as long as the keypad buzzer is active:</p> <ul style="list-style-type: none"> • Door Chime • Entry Delay • Audible Exit Delay • Auto-Arm Prealert • 24 Hour Supervisory Buzzer Zone 								
08	Courtesy Pulse	<p>This option provides an output which follows the entry and exit times. It can be used to turn on a courtesy light near the exit door for the duration of the entry / exit times. Upon activation during an entry delay, the output will remain active for 2 minutes past the Entry or Exit Times to allow enough time for safe entry or exit, to or from the premises. If more than one courtesy pulse output is required, they all must be programmed for global operation (PGM attributes 1 and 2 enabled).</p>								
09	System Trouble	<p>The output will activate (switch to ground) when any of the selected trouble conditions are present. It will deactivate when all the selected trouble conditions are cleared. The PGM attributes for this option, programmed in Sections [141] to [142], differ from the standard selection of attributes normally programmed in sections [501] to [514]. Program which trouble conditions will activate the output by selecting some or all of the following attributes:</p> <table style="width: 100%; border: none;"> <tr> <td style="width: 50%;">Bit [1] Service Required*</td> <td style="width: 50%;">Bit [5] Fire Trouble / Zone Fault</td> </tr> <tr> <td>Bit [2] AC Failure</td> <td>Bit [6] Zone Tamper</td> </tr> <tr> <td>Bit [3] Telephone Line Trouble</td> <td>Bit [7] Zone Low Battery</td> </tr> <tr> <td>Bit [4] Failure to Communicate</td> <td>Bit [8] Loss of Clock</td> </tr> </table> <p>*Battery, bell, general trouble, general tamper, general supervisory</p>	Bit [1] Service Required*	Bit [5] Fire Trouble / Zone Fault	Bit [2] AC Failure	Bit [6] Zone Tamper	Bit [3] Telephone Line Trouble	Bit [7] Zone Low Battery	Bit [4] Failure to Communicate	Bit [8] Loss of Clock
Bit [1] Service Required*	Bit [5] Fire Trouble / Zone Fault									
Bit [2] AC Failure	Bit [6] Zone Tamper									
Bit [3] Telephone Line Trouble	Bit [7] Zone Low Battery									
Bit [4] Failure to Communicate	Bit [8] Loss of Clock									
10	Latched System Event (Strobe)	<p>This output will activate (switch to ground) when any of the selected system events (alarms) occur on the system. In the armed state, the output will deactivate only once the system is disarmed. This output will activate when the programmed events occur on any partition.</p> <p>If an alarm activates this output in the disarmed state, the output will deactivate if a user enters a valid access code while the Bell Cut-off timer is counting down. The output will also deactivate if someone arms the system after the Bell Cut-off has expired. This output can be used to indicate that an alarm has occurred before entering the premises.</p> <p>The PGM attributes for this option, programmed in Sections [141] to [154], differ from the standard selection of attributes normally programmed in sections [501] to [514]. Program the events that will activate the output by selecting some or all of the following attributes:</p> <ul style="list-style-type: none"> Bit [1] Burglary (Delay, Instant, Interior, Stay/Away and 24 Hour Burglary Zones) Bit [2] Fire (Fire Keys, Fire Zones) Bit [3] Panic (Panic Keys and Panic Zones) Bit [4] Medical (Auxiliary Keys, Medical and Emergency Zones) Bit [5] Supervisory (Supervisory, Freezer and Water Zones) Bit [6] Priority (Gas, Heat, Sprinkler and 24 Hour Latching Zones) Bit [7] Holdup (Holdup zones) Bit [8] Output follows pulse timer (Section [170]) <p>This output will activate for silent and audible alarms or medical conditions only. It will not activate during pre-alert or delays.</p>								

[009] - [011] PROGRAMMABLE OUTPUT OPTIONS		
Option	Output	Description
11	System Tamper	This output will activate (switch to ground) when any Tamper condition is present and will deactivate when all Tamper conditions are cleared. These tampers include zone tampers (DEOL), 24 hour latching tamper zone type, module and keypad tampers.
12	TLM and Alarm	This output will activate (switch to ground) when a telephone line fault condition is present AND an alarm occurs. The output will remain active until an access code is entered to disarm any partition. The output will activate for all audible and silent alarms (except duress) if a TLM trouble is present. If an alarm activates this output in the disarmed state, it will deactivate when the system is armed or the telephone line is restored.
13	Kissoff	The PGM Output will activate (switch to ground) for two seconds after the panel receives the kissoff from the central station.
14	Ground Start	The output will activate for two seconds before the panel attempts dialing to obtain a dial tone on Ground Start telephone equipment. Two 2 second pauses must be inserted at the beginning of the telephone number when using this option.
15	Remote Operation	This output can be activated and deactivated remotely on command from DLS software.
16	LINKS 1000 Support	This option configures the PGM terminal for operation with the LINKS1000 Cellular Alarm Communicator.
17	Away Armed Status	This output will activate when the system is armed with the Stay/Away zones activated.
18	Stay Armed Status	<p>The output will activate when the system is armed with the Stay/Away zones bypassed. PGM Output Types [17] and [18] are designed to follow the status of the Stay/Away zones. If the system is armed with Stay/Away's bypassed, the Stay output should be active. If the system is armed with the Stay/Away's active, the Away output should be active. The following indicates how these arming techniques work.</p> <ul style="list-style-type: none"> STAY Key - Stay *9 + Code - Stay AWAY Key - Away Keyswitch Arm - Depends on Delay Type Zone during the Exit Delay *0 Quick Arm - Depends on Delay Type Zone during the Exit Delay Access Code Arm - Depends on Delay Type Zone during the Exit Delay DLS Arm - Away Auto Arm - Away Stay Armed, then *1 - Away
19	Command Output #1	<p>This output is activated by entering the [*][7][1] command. The configuration of the corresponding attributes determines how this PGM type will activate.</p> <p>Command Outputs 1-4 are user-initiated by entering [*] [7] [1-4] at any keypad. When any output is activated, three acknowledgment beeps are sounded.</p> <p>Refer to Section [501] and [551] for more information on Attributes.</p> <p>NOTE: If there are multiple outputs programmed with the same output type, the output options must be the same.</p>
20	Command Output #2	<p>This output is activated by entering the [*][7][2] command. The configuration of the corresponding attributes determines how this PGM type will activate.</p> <p>NOTE: Only ONE of options [03] Sensor Reset and [20] [*] [7] [2] Command Output Option #2 may be programmed on the same system.</p>
21	Command Output #3	This output is activated by entering the [*][7][3] command. The configuration of the corresponding attributes determines how this PGM type will activate.
22	Command Output #4	This output is activated by entering the [*][7][4] command. The configuration of the corresponding attributes determines how this PGM type will activate.
23	Silent 24 Hour Input (PGM2 Only)	With this input the Keypad will not indicate an alarm, the Bell will remain silent but the signal will be sent to the Central Station. This input does not follow Swinger Shutdown. A 2.2KΩ EOL resistor is required for this input (to Aux+). If a short or open occurs, an alarm is generated.
24	Audible 24 Hour (PGM 2 only)	LCD keypads will show that the system is in alarm, and the Bell will sound for the Duration of BTO. The signal will also be sent to the Central Station. This input does not follow Swinger Shutdown. A 2.2KΩ EOL resistor is required for this input (to Aux+). If a short or open occurs, an alarm is generated.
25	Delay Fire and Burglar Output	<p>This programmable output type operates the same as the Fire and Burglary Output (Type 01), except it follows the Transmission Delay Timer found in Section [370]. If a zone is violated that has the TX Delay Attribute enabled (Bit 7), the Bell and Regular Fire and Burg PGMs will activate. At the end of the Transmission Delay, this new PGM type will activate.</p> <p>This feature is used for outside sirens; if a false alarm occurs on a panel, the end user could silence it before any external sirens are activated.</p> <p>NOTE: If a zone is violated that causes an alarm that does not have Tx Delay enabled, these outputs will activate immediately.</p> <p>This PGM will not interfere with the operation of any other PGM Output.</p> <p>This Output is partitionable, and will follow transmission delay by partition.</p> <p>This Output will activate for Audible Exit Fault</p> <p>See Main Board PGM Output Options Section [009], PC5208 PGM Output Options Section [010], and PC5204 PGM Output Options Section [011]</p>

[012] - Keypad Lockout Options

The panel can be programmed to 'lockout' keypads if a series of incorrect access code entries are made. After the **Number of Invalid Codes Before Lockout** has been reached the panel will lock out the keypad for the **Lockout Duration** and log the event to the event buffer. For the duration of the lockout the panel will sound an error tone when any key is pressed. To program 'Number of Invalid Codes Before Lockout'

Enter a number from 000 to 255 to determine the number of invalid master, duress, user or installer access code entries to reach keypad lockout. When keypad lockout occurs, the system is rendered inoperative via keypad for the programmed duration. When any keys are pressed, an error tone will sound.

To program 'Lockout Duration', enter a time from 000 to 255 minutes to determine the length of time before lockout resets and the keypad can once again be used.

NOTE: *If lockout is not reached within the hour roll-over, the number of invalid attempts is reset to 0.*

NOTE: *FAP keys are still active during Keypad Lockout.*

NOTE: *Keypad Lockout is a Global Feature.*

To disable Keypad Lockout enter the **Number of Invalid Codes Before Lockout** as (000).

NOTE: *If Keypad Lockout is active, the panel cannot be armed or disarmed with a keyswitch.*

Section	Option	On/Off	Description
[013] - [018] SECOND SYSTEM OPTION CODES			
[013] Option 1	Zone Loop Type	ON	Normally Closed Loops. All zones are wired as normally closed circuits with returns connected to a COM terminal. The end-of-line resistor is not required. An alarm will be generated when the circuit is opened.
		OFF	End-of-Line Resistors. All zones must be wired with an end-of-line resistor connected between the ZONE and COM terminals. An alarm will be generated when the circuit is opened or shorted. If the zone is programmed as a Fire zone, an open circuit will be reported as a Fire Trouble, and a short circuit will be reported as a Fire Alarm.
[013] Option 2	End-of-Line Option	ON	Double End-of-Line Resistors. All zones will use Double-End-of-Line resistors, except Standard Fire, Delayed Fire, Supervisory, and LINKS Answer zone types. These zones must be connected using the EOL resistor. Double EOL resistors enables detection of zone faults and tampers. The tamper resistor (5.6K Ω) is placed across the alarm activating device, and the single EOL resistor (5.6K Ω) is placed between the alarm and tamper contacts. This configuration will allow the panel to detect zone faults (zone shorted), zone tampers (open zone), zone alarms (11.2K Ω), and restored zones (5.6K Ω). If the zone is disarmed and placed in the tamper (open) or fault (short) state, trouble beeps will generate on all system keypads until a key is pressed. A zone tamper will be sent to the monitoring station if programmed. If Section [701] Option 4 is ON (Latching System Tampers), any system tamper will cause arming to be inhibited until the tamper is restored and the Installer's code is entered [*] [8] [Installer's Code]. If the zone is armed and a tamper is activated, The tamper alarm and zone alarm will be logged and transmitted. The zone will begin normal alarm sequence (Alarm, Bell, etc.).
		OFF	Single End-of-Line Resistors. All zones must have a 5.6K Ω resistor across them. If the zone is shorted or open, it will be in the violated state. If the zone is open and programmed as a fire zone, it will be in the trouble state. NOTE: Zone Faults (Supervisories) on wireless zones will not cause an audible alarm while armed.
[013] Option 3	Trouble Display	ON	Panel Shows all Troubles While Armed. The panel will illuminate the Trouble LED when any troubles are present on the System in both the armed and disarmed state.
		OFF	Panel Shows Only Fire Troubles While Armed. The panel will illuminate the Trouble LED for all troubles while disarmed, but will only illuminate the LED for Fire Troubles while armed. NOTE: This option must be OFF if LCD5500 keypads older than version 2.00 are used.
[013] Option 4	Tampers/Faults Display	ON	Tampers and Faults Do Not Show as Open. The panel will not illuminate the respective Zone LED if the zone is in the Tamper or Fault states, only the Trouble LED will be on.
		OFF	Tampers and Faults Show as Open. The panel will illuminate the respective Zone LED if the zone is in the Tamper or Fault states. The Trouble LED will also light.
5	Future Use		
[013] Option 6	Audible Exit Fault	ON	Audible Exit Fault is Enabled. If a non force-armable Delay 1 or Delay 2 type zone is left open at the end of the Exit Delay, the Entry Delay will begin immediately and the bell or siren will sound a steady alarm for the time programmed as Bell Timeout. This feature is designed to immediately alert the user that their system has been armed incorrectly
		OFF	Audible Exit Fault is Disabled. NOTE: For [*][9] arming, if Audible Exit Fault is enabled a violated zone will begin entry delay as per Audible Exit Fault functionality. If this option is disabled, a violated delay zone at the end of the exit delay will cause an instant alarm.
[013] Option 7	Event Buffer Follows Swinger Shutdown	ON	Event Buffer Follows Swinger Shutdown. Once an event reaches its Swinger Shutdown limit programmed in Section [370], it will no longer log events to the Event Buffer until the Swinger Shutdown is reset. This avoids filling the Event Buffer with useless events and prevents the panel from overwriting the entire buffer if a problem exists. NOTE: The Event Buffer can be viewed with an LCD Keypad, Printed on-site using the PC5400 printer module, or uploaded with DLS software.
		OFF	Event Buffer Logs Events past Swinger Shutdown.
[013] Option 8	Fire Signaling	ON	Temporal Three Fire Signal. This cadence is as follows: (500ms ON, 500ms OFF, 500ms ON, 500ms OFF, 500ms ON, 1.5 sec. OFF).
		OFF	Standard Pulsed Fire Signal. All fire bells will sound with the standard 1 second on/1 second off fire bell cadence. NOTE: Only Zone Definitions [07], [27], [28], [29], [08], [87], and [88] (along with the [F] Key) will use this signaling if enabled. All other zone definitions set to pulse will use standard pulse cadence.

Section	Option	On/Off	Description
[014] SECOND SYSTEM OPTION CODES			
[014] Option 1	Bell Squawk	ON	Arm / Disarm Bell Squawk Enabled. The Bell output will sound a single squawk when armed in any manner, including Auto-arm, and a double squawk upon disarming the system. If there are alarms in memory, the bell will emit a series of three squawk pairs to indicate the alarm memory. <i>NOTE: If you enable the Bell Squawk on Arming/Disarming, the bell will sound arm/disarm bell squawks for all access codes, regardless of the programming for attribute [7] (see section 4.1 Access Codes on page 12).</i> <i>NOTE: Enable both the Squawk on Away Arming/Disarming Only and the Arm/Disarm Bell Squawk options to have the panel squawk the bell only when the system is away armed or disarmed.</i>
		OFF	Arm / Disarm Bell Squawk Disabled. The Bell output will not squawk when the system is armed or disarmed in any manner.
[014] Option 2	Bell During Auto-Arm	ON	Bell Squawk During Auto-Arm Enabled. The Bell output will sound a single squawk every 10 seconds during the Auto-Arm Pre-alert time. This will inform anyone on the premises that the system is being armed.
		OFF	Bell Squawk During Auto-Arm Disabled. The Bell output will not be activated during the Auto-Arm warning time.
[014] Option 3	Bell Squawk On Exit	ON	Bell Squawk On Exit Delay. The Bell output will squawk once per second during the Exit Delay time. The bell will also sound 3 squawks per second for the final 10 seconds. <i>NOTE: If the panel is armed using the Stay function key, or by entering [*] [9] [Access Code], there will be no bell squawks during entry and exit delays, except for the arm/disarm bell squawks.</i> <i>NOTE: If the panel is armed using the Stay function key there will be no bell squawks during the exit delay except for the arm bell squawk. If the panel is no-entry armed using [★] [9] [Access Code], there will be no bell squawks during the exit delay, except for the arm/disarm bell squawks. There is no entry delay (and no bell squawks) when the panel is no-entry armed..</i>
		OFF	No Bell Squawk On Exit Delay. <i>NOTE: This audible option does not apply to Stay and No Entry Arming Modes.</i>
[014] Option 4	Bell Squawk On Entry	ON	Bell Squawk On Entry Delay. The Bell output will pulse with the same timing as the buzzer during the Entry Delay time. The bell will also sound 3 squawks per second for the final 10 seconds if Option 6 in this section is enabled. <i>NOTE: Two different Entry Delays are programmable (Delay 1 and Delay 2 Zone definitions). When the panel is armed it will use the Entry Delay for the first Delay zone violated.</i> <i>NOTE: This feature must not be used with two or more partitions.</i> <i>NOTE: If the panel is armed using the Stay function key, or by entering [*] [9] [Access Code], there will be no bell squawks during entry and exit delays, except for the arm/disarm bell squawks.</i>
		OFF	No Bell Squawk On Entry Delay
[014] Option 5	Bell Squawk on Trouble	ON	Bell Squawks on Trouble. When there is a Trouble condition annunciated on the system keypads, the Bell will squawk 2 times every 10 seconds (as per the keypad buzzer). The Bell will be silenced when the keypad beeps are silenced (any key pressed on keypad).
		OFF	No Bell Squawks on Trouble.
[014] Option 6	Audible Exit Beeps	ON	Audible Exit With Urgency. The keypad will sound a pulsing tone (once per second) during the Exit Delay. For the last 10 seconds of the Exit Delay, the keypad and bell / siren (if enabled) will sound a different tone (3 tones per second) to warn that the Exit Delay is about to expire. <i>NOTE: Users can restart the exit delay while it is counting down by pressing the Away key. The system will not log the user who re-started the exit delay, unless the Quick Arming Disabled/Function Keys Require Code option is turned on (section [015], option [4]).</i> <i>NOTE: If the system has been Stay armed, or armed with no entry delay ([*][9]), pressing the Away key will not start an exit delay.</i>
		OFF	Silent Exit Delay. The keypad will not sound during the Exit Delay.
[014] Option 7	Exit Delay Termination	ON	Exit Delay Termination Enabled. The Exit Delay will be terminated once a Delay 1 Zone for the entry/exit door or area is restored. All audible options associated with the exit delay will be silenced when the Exit Delay is terminated. Force-Armable Delay 1 type zones will also terminate the exit delay. <i>NOTE: If a Delay type zone is violated then secured during the exit delay, the exit delay will be terminated and the panel will be armed immediately.</i>
		OFF	Exit Delay Termination Disabled. The Exit Delay timer will continue to count even after the Delay Zone for the entry/exit door or area is restored. All audible options associated with the Exit Delay will function until the time programmed for the Exit Delay has elapsed.
[014] Option 8	Fire Bell Timeout	ON	Fire Bell is Continuous. The Bell output will sound for all Fire type alarms until an access code is entered to silence the alarm or disarm the system regardless of the time programmed for Bell Timeout in Section [005].
		OFF	Fire Bell Follows Timeout. The Bell output will sound for all Fire type alarms for the duration of Bell timeout or until an access code is entered.

Section	Option	On/Off	Description
[015] THIRD SYSTEM OPTION CODES			
Section	Option	On/Off	Description
[015] Option 1	[F] Key	ON	[F] Key Enabled. Pressing and holding the [F] key for 2 seconds will generate a Fire alarm. The keypad will sound a set of 3 beeps to acknowledge the valid alarm and the bell or siren will pulse one second on, one second off if option 8 of Section [013] is disabled (Standard Fire option). If Fire Bell is Continuous (Section [14], Option 8) is selected the alarm output will sound until a code is entered, otherwise it will sound until a code is entered or the alarm output times out. Communication of the signal to central station is immediate for the length of Bell time-out. An alarm reporting code (if programmed) will be transmitted. <i>NOTE: If enabled, this key will generate alarms at all times except while in a valid installer programming section when using an LCD5501Z or LED keypad. The [F] key is used for scrolling through data on these keypads in the installer programming sections.</i> <i>NOTE: Fire, Auxiliary, and Panic key transmissions follow the partition 1 alarm/restore call direction options (Fire, Auxiliary, and Panic key)</i> <i>NOTE: The Fire, Auxiliary, Panic keys will operate even if Keypad Blanking and Keypad Lockout are active (See Section 5.3 Basic Programming PWS Sect 3 [012]).</i>
		OFF	[F] Key Disabled. The [F] key will not sound or report an alarm when pressed.
[015] Option 2	[P] Key Annunciation	ON	[P] Key Audible. When a valid [P] key alarm is generated, the Keypad buzzer will sound a series of 3 beeps to acknowledge the alarm. The bell or siren will also sound for the length of Bell timeout. <i>NOTE: Fire, Auxiliary, and Panic key transmissions follow the partition 1 alarm/restore call direction options (Fire, Auxiliary, and Panic key)</i> <i>NOTE: The Fire, Auxiliary, Panic keys will operate even if Keypad Blanking and Keypad Lockout are active (See Section 5.3 Basic Programming PWS Sect 3 [012]).</i>
		OFF	[P] Key Silent. When a valid [P] key alarm is generated: the Keypad buzzer and the bell output will remain silent, the alarm transmission will still be transmitted if programmed.
[015] Option 3	Quick Exit	ON	Quick Exit Enabled. When the system is armed, users may enter the [*][0] Command to allow a single Delay 1 or Delay 2 Zone to be activated so they may leave the premises. Only one Delay zone may be activated. Additional activity on another Delay zone will initiate its respective alarm sequence. If the Delay zone is still open two minutes after the [*][0] command is entered, the Entry Delay will be initiated. If armed in the Stay mode, the automatic bypass on Stay/Away zones will not be removed.
		OFF	Quick Exit Disabled.
[015] Option 4	Quick Arming/Function Key	ON	Quick Arming Enabled/Function Keys Do Not Require Code. [*][0] arming and Stay/Away Function Keys may be used to arm the system without the entry of a valid access code. All other function Keys may also be used without the entry of an access code.
		OFF	Quick Arming Disabled/Function Keys Require Code. [*][0] arming is not permitted, and all Function Keys require the entry of an access code to activate (including Stay/Away keys). <i>NOTE: This option must be on if less than version 3.00 of the PC5132 is used.</i>
[015] Option 5	Bypass Access Code	ON	Access Code Required to Bypass Zones. After entering the [*][1] Bypass Zones Command, an access code must be entered before zones may be bypassed.
		OFF	Access Code Not Required to Bypass Zones. Enter the [*][1] Bypass Zones Command to bypass zones. <i>NOTE: This option is supplemental to Option 4.</i>
[015] Option 6	Master Code	ON	Master Code Not User Changeable. The Master Code (Access Code 40) may not be changed by the user, and may only be programmed in the Installer's Programming Mode.
		OFF	Master Code User-Changeable. The Master Code (#40) may be programmed by the user using the [*] [5] [Master Code] command. The Master Code may also be programmed in the Installer's Programming Mode.
[015] Option 7	Telephone Line Monitor	ON	Telephone Line Monitor enabled. The TLM function will be active and the system will indicate a Trouble #3 condition when using the [*][2] View Trouble Conditions Command.
		OFF	Telephone Line Monitor disabled. The TLM function will be shut off and telephone line troubles will not be indicated by the system.
[015] Option 8	Telephone Line Monitor Audible Trouble	ON	TLM Audible When Armed. When the system is disarmed, a telephone line monitor trouble will generate a trouble indication as described above. If the system is armed, a telephone line monitor trouble will generate an audible alarm on the bell or siren for the duration programmed for Bell Timeout or until an access code is entered to disarm.
		OFF	TLM Trouble Only. A telephone line trouble will generate a trouble indication, the Trouble LED will come ON, and the keypad sounder will beep until a key is pressed.

Section	Option	On/Off	Description
[016] FOURTH SYSTEM OPTION CODES			
Section	Option	On/Off	Description
[016] Option 1	AC Trouble Display	ON	AC Trouble Displayed. If AC power fails, the condition will be reported to the monitoring station and will be indicated as a Trouble condition on the system Keypads.
		OFF	AC Trouble Not Displayed. If AC power fails, the condition will be reported, but the Trouble light will not be indicated on the system keypads. If [*][2] is entered to view the system troubles, Trouble #2 will still be displayed.
[016] Option 2	AC Trouble Flash	ON	Trouble Light Flashes if AC Fails. When AC power is lost from the system, the "Trouble" light will flash in the base "Ready" and "Armed" mode within 30 seconds from after power is lost. When AC restores, the "Trouble" light will stop flashing within 30 seconds. If enabled, this option will override the AC display option.
		OFF	Trouble Light Does Not Flash on AC Fail.
[016] Option 3	Keypad Blanking	ON	Blank Keypad When Not Used. If no keys are pressed for 30 seconds, all keypad lights except backlighting (if enabled) will be shut OFF until the next keypress, Entry delay, Audible Alarm or keypad buzzer condition. <i>NOTE: Keypad function keys will still operate when the keypad is blank, unless the function key is programmed to require an access code.</i>
		OFF	Keypad Always Active. The keypad lights will remain ON at all times.
[016] Option 4	Keypad Blanking Restore	ON	Access Code Required to remove Keypad Blanking. A valid access code must be entered before a blanked Keypad can be used
		OFF	Access Code Not Required. Pressing any key on a blanked keypad will remove the blanking.
[016] Option 5	Keypad Backlighting	ON	Keypad Backlighting is Enabled. All keypads on the system will have backlighting on all of the time.
		OFF	Keypad Backlighting is Disabled.
[016] Option 6	Power Save Mode	ON	Power Save Mode Enabled. If AC power fails, all keypad lights including backlighting will be shut OFF. The keypad lights will come back ON after a keypress, Entry delay, Audible Alarm or keypad buzzer condition (except Door Chime). The keypad lights will return to the off state after 30 seconds of keypad inactivity.
		OFF	Power Save Mode Disabled.
[016] Option 7	Bypass Status Display	ON	Bypass Status Displayed While Armed. The Bypass status light will be ON if there are zones bypassed when the system is armed.
		OFF	Bypass Status Not Displayed While Armed. The Bypass light will be ON only while the system is disarmed to indicate that there are bypassed zones on the system. When the system is armed, the Bypass light will be OFF. <i>NOTE: The Bypass status LED will be ON if there are Stay/Away zones auto bypassed at the time of arming regardless of whether or not this option is enabled. This option only enables and disables manual bypass display.</i>
[016] Option 8	Keypad Tamper	ON	Keypad Tamper are Enabled. All keypads containing Tamper switches will generate Tamper Alarms and Restores (Sect 338).
		OFF	Keypad Tamper are Disabled. <i>NOTE: If this option is used, all keypads should be properly installed and secured (tamper restored) before enabling the option.</i> <i>NOTE: Entering and exiting Installer's Programming will not reset the system tampers. All tamper conditions must also be physically restored.</i> <i>Once a zone is tampered or faulted, it must be completely restored before the trouble condition will clear.</i>

[017] FIFTH SYSTEM OPTION CODES

[017] Option 1	WLSKey Disarming	ON	WLS Keys Do Not Use Access Codes. The panel will accept the disarm keycode from an unidentified Wireless Key, allowing arming/disarming without a code. <i>NOTE: Wireless keys can only be assigned access codes when used with PC5132 (Refer to the PC5132 Installation Manual for information on programming wireless keys.)</i> <i>NOTE: This option must be enabled when using a PC5132 v2.1 or earlier.</i> <i>NOTE: When using wireless keys with access codes, if you default the PC5020, you should also default the PC5132(See Section 5.9 Special Installer Functions PWS Sect 9 [996]).</i>
		OFF	WLSKeys Uses Access Codes. The panel will NOT accept the disarm keycode from an unidentified Wireless Key. An Access code must be associated to a WKEY for proper operation.(Refer to the PC5132 manual for information on programming wireless keys.) <i>NOTE: This option must be ON when using a PC5132 older than v3.00.</i>

Section	Option	On/Off	Description
[017] Option 2	Auto-Arm Schedule Programming	ON	Auto-arm Schedule in [*][6]. The Auto-Arm Schedules (Sect [181] - [188]) are accessible via [*][6] as well as Installer's Programming. <i>NOTE: Refer to "Setting Date and Time" in the User's Guide.</i>
		OFF	Auto-arm Schedule in Installer's Programming Only. The Auto-Arm Schedules (Sect [181] - [188]) are only accessible via Installer's Programming. <i>NOTE: This toggle controls access for all eight partitions</i>
[017] Option 3	Audible RF Jam Trouble Beeps	ON	Audible RF Jam Trouble Beeps
		OFF	An RF Jam will not sound Trouble Beeps
[017] Option 4	Double Hit	ON	Double Hit Enabled. Two alarms from the same zone within the Cross Zone Timer Duration will cause the Police Code or Cross Zone to be logged and transmitted.
		OFF	Double Hit Disabled. Two alarms from the same zone will not cause the Police Code or Cross Zone to be logged and transmitted. Two different zones must be in alarm to transmit the Police Code or verify the Cross Zone. <i>NOTE: This feature only applies to zones defined as Interior, Interior Delay, Interior Stay/Away, or Delay Stay/Away (PIR Zones).</i> <ul style="list-style-type: none"> This is a flexible extension of the existing Police Code. This feature is directly affected by the Cross Zone Timer.
[017] Op 5	Late To Close	ON	Late to Close Enabled. The panel will communicate and log a Late to Close event at the time programmed for Auto-Arm for each partition. This system toggle controls if the Late to Close Reporting Code is sent at the end of the Auto-arm/Postpone Pre-alert. Use this feature for installations that require an audible warning if the panel is not armed by a certain time of day, but do not wish to have it arm. Anyone who hears this warning should manually arm, or contact the Central Station to let them know why the panel has not been armed by the programmed time.
		OFF	Late to Close Disabled. The panel will neither communicate nor log a Late to Close event at the time programmed for Auto-Arm for each partition. <i>NOTE: If the auto-arm toggle option is disabled, the Auto-arm Pre-alert will still occur if there is a time programmed for that day if this option is enabled. This option does not directly affect the functionality of auto-arm. If Late to Close is enabled and Auto-arming is not, LCD Keypads will still display "System Arming in Progress" during the Late to Close Pre-alert.</i>
[017] Option 6	Daylight Savings Time	ON	Daylight Savings Time Enabled. At 2 a.m. on the first Sunday in April, the panel clock will be set forward one hour to 3 a.m. At 2 a.m. on the last Sunday in October, the panel clock will be set back one hour to 1 a.m. Events programmed to occur between 2:00 and 3:00 am. will not occur on the first Sunday in April. Events programmed to occur between 1:00 and 2:00 am. will occur twice on the last Sunday in October.
		OFF	Daylight Savings Time Disabled. The panel will make no automatic time adjustments for Daylight Savings time. <i>NOTE: Auto-arm and Test Transmissions should not be attempted between 0200 and 0300 hours, as they will be missed on the first Sunday in April. Events programmed to occur between 0100 and 0200 will occur twice on the last Sunday in October.</i>
[017] Option 7	Periodic Camera Test	ON	Periodic Camera Test Enabled. The panel will test all active cameras on the PC5108L every 30 minutes.
		OFF	Periodic Camera Test Disabled. If this option is OFF, the panel will only test all active cameras on the PC5108L upon exiting Installers' Programming, or during System Test <i>NOTE: The active camera monitor is selected using function key 22. Refer to the PC5108L Installation Manual for function key use.</i>
[017] Option 8	Bell Squawk on Away Arming	ON	Squawk on Away Arming/Disarming Only. Bell Squawks will only be heard on Away Arming, as well as upon Disarming after being armed in the Away Mode. <i>NOTE: This option controls when Bell Squawks are annunciated. This feature is to prevent the Bell from being activated when arming from inside the premises.</i>
		OFF	Bell Squawk on all Arming/Disarming. Bell Squawks will be heard on all types of Arming and Disarming. <i>NOTE: This option follows the "Bell Squawk on Arming/Disarming" and "Bell Squawk Attribute" features. This option is off at default.</i>

Section	Option	On/Off	Description
[018] Sixth System Option Codes			
[018] Option 1	Periodic Test Transmission Exception	ON	<p>Periodic Test Transmission Exception Enabled. With this feature enabled, the panel will not send a test transmission if there has been a transmission sent to the receiver within the programmed time. Test Transmission Exception allows any communicable event to reset the test transmission cycle, reducing the amount of communications events sent to the central station, For example:</p> <p>02/10 - Opening 02/11 - Closing 1 Days 02/14 - Test Transmission 3 Days < 7 Days 02/16 - Opening 2 Days between 02/18 - Closing 2 Days Test 02/21 - Test Transmission 3 Days < Transmissions</p> <p>If an event is communicated, the Test Tx counter is reset, ensuring that a Test Tx event will not occur for an entire cycle from that point, instead of from the last Test Transmission sent. An example is given below with test transmission set for every 3 days. This ensures that a transmission is sent every 3 days to test communications, however, if an event has already been sent in the last 3 days, a Test Transmission is not required. If the event was sent via landline, the landline Test Tx cycle is reset. If the event is sent via LINKS1000, the LINKS Test Tx cycle is reset.</p> <p>NOTE: In order for an event to reset the Test Tx cycle, a Kissoff must be received from the receiver.</p> <p>NOTE: The Test Transmission cycle will not be reset when events are transmitted using the Pager (05) or Residential Dial (06) formats.</p>
		OFF	<p>Periodic Test Transmission Exception Disabled. The Panel will always send a test transmission at the programmed interval and time. This option is OFF at default.</p>
[018] Option 2	Verbal Door Chime	ON	<p>Verbal Door Chime is Enabled. The system will verbally announce the zone (or programmed label) when it is violated if Door Chime is programmed.</p> <p>This feature is available when ESCORT5580 v3.00, and the PC5936 v1.00 are used. This feature enables the Door Chime to verbally announce the Zone that has been violated instead of a series of beeps, If the Verbal Chime Feature is enabled, whenever a zone with the Chime attribute enabled is violated, a series of beeps will sound and the system will verbally prompt "Zone X". When the zone is restored, the system will sound a series of beeps. For example, if label is programmed for the above Zone, the system will verbally announce (after the beeps) "South Bedroom Window". See associated <i>Installation Manuals</i>. NOTE: Only beeps are announced on a zone restore.</p>
		OFF	<p>Verbal Door Chime is Disabled. The system will only announce a series of beeps whenever a zone programmed for Chime is either violated or restored. This option is defaulted OFF.</p>
[018] Option 3	Verbal Alarm	ON	<p>Verbal Alarm is Enabled. The system will verbally announce audible zone alarms via their zone number (or programmed label) in conjunction with the Bell Outputs.</p> <p>This feature is available when the ESCORT5580 v3.00 and PC5936 v1.00 are used. This feature enables verbal announcement of alarm conditions on the system. When an audible non-fire zone goes into alarm with this feature is enabled, the PC5020 will sound the alarm condition via the Bell Outputs, but every 15 seconds (as programmed in the Alarm Tone Period – Section [178]) it will silence the bell outputs and the PC5936 speakers will verbally announce the alarm condition "Alarm Zone 4" or, if the label is programmed, "Alarm South Bedroom Window".</p> <p>When the zone is in alarm, the software automatically inserts the word "Alarm" in front of the appropriate zone label.</p> <p>When an audible fire zone goes into alarm, the system automatically inserts the words "Fire" and "Alarm" in front of the appropriate zone label ("Fire Alarm Zone 4" or "Fire Alarm South Bedroom Smoke").</p> <p>If there are multiple alarms, the system will announce the first and latest zone that has gone into alarm.</p> <p>NOTE: Fire annunciation always overrides any Burglary Zone alarm annunciation. Verbal Alarm will cease with the Siren at Bell Time Out.</p>
		OFF	<p>Verbal Alarm is Disabled. The system will only announce via the Bell Outputs during an audible alarm condition. This option is defaulted OFF.</p>
[018] Option 4	Waterflow Silence Inhibit	ON	<p>Water-flow Silence Enabled. An Instant or Delayed 24Hr Water-flow alarm can not be silenced by any means (including Bell Time Out) until all Water-flow zones on the system are restored.</p>
		OFF	<p>Water-flow Silence Disabled. Alarms can be silenced whether a Water-flow zone is open on the system or not. This Option is OFF at default.</p>
[018] Option 5	Keypad Buzzer Alarm	ON	<p>Keypad Buzzer Follows Bell Enabled. The keypad buzzers will follow the selected partition's bell activity.</p>
		OFF	<p>Keypad Buzzer Follows Bell Disabled. The keypad buzzer will not follow all bell activity. Only alarms designated to activate the keypad buzzer will do so. This option is OFF at default.</p>

Section	Option	On/Off	Description
[018] Option 6	Burglary Verification	ON	<p>Cross Zoning is Enabled. The panel will use the Cross Zone Attribute for Burglary Verification.</p> <p>This feature requires two or more trips on a zone(s) specified as "cross zones" within a specified time before starting an alarm sequence. See Section [101], Option 9, Pg 33.</p> <p>When a zone with the Cross Zone Attribute Enabled is violated, nothing occurs on the local premises (except Entry Delay, if applicable) and the Cross Zone Timer commences. If another Zone with the Cross Zone attribute enabled is violated before the timer expires, the panel will transmit the first alarm signal, a Cross Zone event, followed by the second zone alarm, and begins the appropriate local alarm sequence. If no other zones are violated before the timer the expires, no alarm sequence occurs and an Alarm Not Verified event is logged. If the Double Hit Feature is enabled (Section [017], Option 4), the panel will react on two violations of the same zone during the Cross Zone Timer (Section [176]) for starting an alarm sequence.</p> <p>This option is dependent on the programming of the Burglary Verification Options (Section [018], Option 6). It is not enabled if Police Code is enabled.</p> <p>This option will not function on zones that do not log alarm events (e.g. While disarmed, Day Zone, Instant zone, etc.)</p> <p>NOTE: The Cross Zone/Police Code Timer is in Seconds for Cross Zoning and in Minutes for Police Code.</p> <p>NOTE: No fire zones types should use the Cross Zone Attribute.</p>
		OFF	<p>Police Code is Enabled. The panel will use the Police Code feature for Burglary Verification. This option is OFF at default.</p>
[018] Option 7	Exit Delay Restart	ON	<p>One Time Exit Delay Restart on Delay zone re-entry Enabled. If a Delay zone is violated and restored during the Exit Delay, it is considered an exit. If a delay zone is violated again it is considered a re-entry. With this option enabled the panel will restart the exit delay. Further violations and restores of delay zones will not restart the exit delay.</p>
		OFF	<p>One Time Exit Delay Restart on Delay zone re-entry Disabled. Delay zone violations and restores will not restart the exit delay.</p> <p>NOTE: The exit delay can only be restarted once. This includes restarts from Away function keys.</p>

[020] - Keypad Zone Assignment

Assigning Keypad Zones

Each keypad has a zone input to which a device (i.e. a door contact) can be connected. (See section 2.10 "Keypad Zones" on page 9 for wiring information.)

Once the keypad zones are installed. Enter the 2-digit zone designated for each keypad (slot) from 01-64.

NOTE: 24 Hour Supervisory (LINKS) and LINKS Answer Zones cannot be used on Keypad Zones.

Fire zones can not be used on keypad zones if DEOL is enabled.

Hookup -If NC is enabled, a short across the keypad zone is required (from Z to B/Ground). -If EOL or DEOL is enabled, a 5.6KΩ across the keypad zone is required (from Z to B/Ground).

[030] - Fast Loop Response

An eight bit toggle option controls which main board zones have Fast Loop (36 ms) or Normal Loop Response (540 ms). Fast loop response is typically used for vibration sensors.

5.4 Advanced Programming

[101]-[164] Zone Attributes

The two sets of attributes (1-8 and 9-16) may be toggled by pressing '9' within any zone's attribute section. If the Ready LED is on, the keypad is indicating Zone Attributes 1-8; if the Ready and Armed LED's are on, the keypad is indicating Zone Attributes 9-16. The following options can be enabled or disabled by zone.

[101]-[164] ZONE ATTRIBUTES			
Option	Attribute	On/Off	Description
1	Bell	ON	An alarm will cause the bell output to activate.
		OFF	Silent Alarm
2	Bell Type	ON	The bell output will be steady when the zone is in alarm.
		OFF	The bell output will pulse when the zone is in alarm.
3	Chime	ON	Every keypad will chime when the zone is violated and when the zone is secured. Door Chime will work in both the armed and disarmed states.
		OFF	The zone will not chime the keypads.
4	Bypass	ON	The zone may be manually bypassed.
		OFF	The zone cannot be bypassed.
5	Force Arming	ON	The system (partition) may be armed with the zone violated. The zone will be temporarily bypassed, and when the zone is secured it will be added back into the system.
		OFF	The system cannot be armed if this zone is open.
6	Swinger Shutdown	ON	The zone will shut down after a programmed number of alarms, inhibiting further transmissions to the monitoring station. The bell will follow Swinger Shutdown.
		OFF	Swinger Shutdown disabled
7	Transmission Delay	ON	The reporting of zone alarms will be delayed for the programmed time. If a valid access code is entered within this time, no alarm signal will be communicated.
		OFF	When an alarm occurs, the reporting code is transmitted immediately.
8	Wireless	ON	Zone is Wireless. The zone will ignore the main board zone (if applicable) and respond to the corresponding zone enrolled on the PC5132.
		OFF	Zone is Hardwired. The zones uses the corresponding hardwired zone.
9	Cross Zone	ON	Zone is a Cross Zone. Zone is enabled for Cross Zoning.
		OFF	Zone is not a Cross Zone. Zone is not enabled for Cross Zoning. The Default state for the Cross Zone Attribute is OFF for all zone types. NOTE: DO NOT change Fire Zones attributes from the default settings.

[165] - Maximum Dialing Attempts To Each Phone Number

This value represents the number of attempts that will be made to each telephone number when communicating.

The default value is 007 attempts. Valid entries are 001-015.

NOTE: The PC5020 will not allow more than 15 dialing attempts to a single phone number. If a value higher than 15 is programmed in Section [165], the panel will still only dial 15 attempts.

[166] - Post Dial Wait For Handshake

This value represents the time the communicator waits for a valid initial handshake from the receiver after dialing the programmed telephone number. The default value is 040 seconds.

[170]-[178] TIMERS

[170] - PGM Output Timer

This value represents the period of time (in seconds) that a PGM will activate if programmed to follow the PGM Timer.

The default value is 005 seconds. Valid entries are 001-255.

NOTE: This option does not affect outputs programmed as Sensor Reset (Type 03).

NOTE: If a System Event PGM is programmed to follow the Command Output Timer, all attributes must be enabled.

[175] - Auto-arm Postpone Timer

This feature controls the sequence of events after a valid access code is entered during the Auto-arm Pre-alert. If the Auto-arm Postpone Timer is programmed as 000, the Auto-arm will be cancelled. If a value between 001 and 255 is programmed, then the Auto-arm will be 'postponed' for the corresponding number of minutes and the panel will resume normal operation. The panel will also log the appropriate "user log" for the access code which postponed the arming. When the postpone time expires, the panel Auto-arm Pre-alert will be re-initiated (unless the partition is armed). The Auto-arm may be postponed multiple times. If the Auto-arm is postponed, arming or disarming the panel will not affect the postpone sequence.

[176] - Cross Zone/Police Code Timer

This option affects the Cross Zone Police Code log and transmission as well as the Cross Zone Feature.

When a zone trip occurs, the Cross Zone Timer starts. This timer affects the panel in two different ways depending on the programming of the Burglary Verification Options (Section [018], Option 6):

- If the Police Code Feature is being used = the first zone alarm will immediately transmit. If a second zone alarm occurs in the time period (minutes) programmed in this section, the panel will log and transmit the Police Code event. If the second zone alarm occurs after this timer expires, the Police Code will not be logged or transmitted, and the timer will restart.
- If the new Cross Zone Attribute is used = the first zone alarm will not log or transmit. If a second zone is violated within the Cross Zone Timer's (seconds) duration, the panel will go into the appropriate alarm sequence and will communicate both zone alarms. No Police Code is sent.

NOTE: If 000 is programmed in this section, either: The Police Code will transmit for any two different zone alarms during an armed-to-armed period. or The new Cross Zoning Feature will not work. This is not a valid entry for Cross Zoning.

[177] - Water-flow Delay Timer

This option affects the Delayed 24Hr Waterflow zone type. The value programmed in this section is the time for which the zone has to be violated before going into alarm. Valid entries are from 000 to 090 seconds, with a default of 000.

[178] - Alarm Tone Period for Verbal Alarm

This is the period of time that the system will sound the bell outputs before silencing them and verbally annunciating the alarms through the PC5936/Escort5580. Valid entries for this section are 001-255, and the default value is 15 seconds.

[181]-[188] - Auto Arm Schedules

Sections [181] through [188] allow the Installer to program seven independent times of the day that the selected Partition will arm when Auto-arm is enabled. The seven entries represent the days of the week as indicated below:

NOTE: Valid entries are 0000-2359 hrs; 9999 to disable.

[18X] PARTITION X AUTO-ARM TIMES

Day	Default	
Sunday	9999	□□□□□□□□
Monday	9999	□□□□□□□□
Tuesday	9999	□□□□□□□□
Wednesday	9999	□□□□□□□□
Thursday	9999	□□□□□□□□
Friday	9999	□□□□□□□□
Saturday	9999	□□□□□□□□

X = Partition that the section belongs to (i.e. Section [182] = Partition Two Schedule). In addition to these schedules, partitions can be enabled or disabled in [*][6] programming. This is controlled by Option 2 in Section [017].

[190] - No Activity Arming Pre-Alert Duration

This is the duration for which the No Activity Arming Pre-alert will sound when the No-Activity Timer for the partition expires (see Section [191]-[198]). If programmed as 000, the Partition will arm as soon as its No-Activity timer expires. This feature enables the system (or partition) to arm if there is no zone activity for a programmed time period. If the **No Activity Arm** option for a partition is programmed with a number other than 000, the partition will Auto-Arm if no activity is detected for the programmed number of minutes.

[191]-[198] - No-Activity Timer (Partition 1-8)

The timer will begin when a delay type zone assigned to the partition is tripped or restored. The timer is stopped if any zone assigned to the partition is tripped or restored. The timer will restart when a delay type zone is again restored. When the timer expires, the panel will sound the buzzers of all keypads assigned to the Partition for the time programmed in Section [190]. If any key is pressed or zone is violated/restored on that Partition, the Auto-Arm pre-alert will be aborted. For zone types 04, 05, 06, and 25, restores will not affect No Activity Arming. A partition begins its Auto-arm sequence when its No-Activity Timer expires. If 000 is programmed in a section, No-Activity Arming for that partition is disabled. Valid entries are 000 - 255 minutes, with a default of 001.

[199] - Auto-Arming Pre-Alert Time

This section allows programming of the standard Auto-arm Pre-alert Duration. If auto-arm is postponed this timer will re-start after the auto-arm postpone timer expires. Valid entries are from 001 - 255 minutes, the default is 005.

NOTE: There is no differentiation between the No-Activity Pre-alert and the Standard Auto-Arm Pre-alert at a keypad. No Activity Arming and Auto-Arm will log and transmit as a Special Closing.

5.5 Partition and Zone Programming

[202]-[265] - Partition Zone Assignments

Partitions and Zone Assignment

A partition is a limited area of the premises which will operate independently of another area of the premises. You can create up to eight partitions on the Power864 system. For example, in an office/warehouse installation the warehouse area and the office area can be on separate partitions. With this arrangement, employee access can be limited to either area.

To set up the system for more than one partition, you must turn on each partition in section [201].

You can assign any zone to any of the partitions. **Global Zones** are zones assigned to more than one partition. A global zone will only be armed when all assigned partitions are armed. The zone will be disarmed when any assigned partition is disarmed. By default, zones 1 through 8 are assigned to partition 1. If additional zones are being used, or if the application requires more than one partition, you must program which zones are assigned to which partitions. You can do this in programming sections [202] - [265].

NOTE: You can assign any Access Code to work on any of the partitions (see section [*] [5] Programming Access Codes on page 15).

You can assign keypads to work on either a single partition, or on all partitions (Global operation). See Section 2 Keypad Assignment

Each partition can be programmed to report using a different Account Number. See Section

Some of the Programmable Output options are also selectable by partition. See Section 5 Programmable Outputs

- Partition 1 - 8 Enabled/DisabledSection [201]
- Partition 1 Zone AssignmentsSections [202] to [209]
- Partition 2 Zone AssignmentsSections [210] to [217]
- Partition 3 Zone AssignmentsSections [218] to [225]
- Partition 4 Zone AssignmentsSections [226] to [233]
- Partition 5 Zone AssignmentsSections [234] to [241]
- Partition 6 Zone AssignmentsSections [242] to [249]
- Partition 7 Zone AssignmentsSections [250] to [257]
- Partition 8 Zone AssignmentsSections [258] to [265]

These eight bit toggle sections determines which partitions each individual zone is assigned to. If a zone is enabled on any partition, it will be supervised via the panel's EOL supervision, and will operate according to the zone type programmed. If a zone is not assigned to any partition, it will not be supervised and all activity on the zone will be ignored by the panel.

5.6 Communicator Programming

[301]-[304] Communicator - Telephone Numbers

The panel can call 3 different telephone numbers for communication to central station. The **1st telephone Number** is the primary number, the **2nd telephone Number** is the secondary number and the **3rd telephone Number** will back up the 1st telephone number if enabled.

NOTE: The 3rd telephone Number will NOT back up the 2nd telephone Number.

If Alternate Dial is enabled the panel will alternate between the 1st and 3rd telephone numbers when attempting to call the central station. If disabled the panel will only attempt to call the 3rd telephone number after failing to communicate on the 1st telephone number.

NOTE: For Alternate Dial to work properly the 3rd telephone Number must be both enabled and programmed.

Telephone numbers can be up to 32 digits which will allow you to add special digits if required. To program the telephone number enter numbers 0 through 9 as required.

Pressing [#] in these sections from an LED keypad will exit and delete the rest of the phone number. Pressing [#] in these sections from an LCD keypad will exit and save the entire phone number up to the first Hex F.

The following is a list of HEX digits which can also be programmed and the functions they perform:

- HEX (A) - not used
- HEX (B) - simulates the [*] key on a touch tone telephone
- HEX (C) - simulates the [#] key on a touch tone telephone
- HEX (D) - forces the panel to search for dial tone
- HEX (E) - forces the panel to pause for 2 seconds
- HEX (F) - end of telephone number marker

.....
3rd telephone Number Enable.Section [380], Option [5]
Alternate DialSection [380], Option [6]
Downloading Options (Section 7: PWS)
.....

[301] - First Telephone Number

[302] - Second Telephone Number

[303] - Third Telephone Number

NOTE: There is a static delay of 2 seconds before any additional dial tone search in a phone number.

NOTE: The panel will not attempt to communicate, if no phone number is programmed. This applies to Phone Numbers 1, 2 and 3.

[304] - Call Waiting Cancel Dialing String

This is a 6 digit Hex entry that is used to disable Call Waiting on a Call Waiting equipped phone line. This is typically *70 in most areas. Dialing this string before a phone number will disable Call Waiting for the duration of the call. If this section is programmed (not FF), and Section 382, Option 4 is ON, the panel will dial this string in place of the first digit of the phone number (Sections [301]-[303]). This only applies to the first attempt that is made to each phone number.

NOTE: If not all 6 digits are required they should be filled with Hex F. All 6 digits of this section need to be programmed in order for any changes to be accepted.

Communicator - Account Codes

The System Account Code will be used by the panel when communicating System events (e.g. Low Battery, Test Transmission). This account code can be up to six digits in length for the SIA Communications format. Only the SIA reporting format supports six-digit account codes. All other formats will use the first four digits of the account code regardless.

NOTE: If the communicator is programmed for the SIA reporting format, the system will use this account code for all partitions.

There are eight **Partition Identifier Codes** (or Account Codes) programmable, one for each partition. The Account Code is used by central station to determine which panel is calling.

If you have programmed the system for more than one partition, you must program an account code for each active partition. The panel will report to the central station by partition. For example, if an alarm occurs on a zone assigned to Partition 1 the panel will report using Partition 1 account code.

[310] - System Account Code

This is the Account Code used by the panel when communicating System events (i.e. Low Battery, Test Transmission, etc.).

This account code can be up to six digits in length for the SIA Communications format.

Only SIA supports six digit account codes. If the last two digits of the account code are FF, the panel will only use the first four digits. All other formats will use the first four digits of the account code.

The call directions that use this Account Code are System Maintenance (Troubles, Zone Faults, etc.) and System Test Transmissions.

NOTE: *SIA will use this account code for all Partitions and System Events! System events will be identified by Nri0, with Partitions 1-8 using Nri1-8.*

[311]-[317] - Partition 1-8 Account Codes

These Account Codes are used by the panel when communicating events for Partitions 1-8 when using formats other than SIA.

NOTE: *All Partition Account Codes are 4 digits in length. Valid entries are 0000-FFFE.*

[320] - [349] REPORTING CODES

Communicator - Reporting Codes

Unless you are using Automatic Contact ID or Automatic SIA formats, reporting codes must be programmed in order for the panel to report events to the central station.

Reporting codes are two digits and can use hexadecimal digits A through F. To disable a reporting code, program it as "FF" (default setting) or "00". For a complete description of reporting codes which can be programmed and lists of automatic Contact ID and SIA format codes, see section Appendix A: "Reporting Codes" on page 55.

[320]-[349] REPORTING CODES		
Option	Report Code	Description
[320]-[327] ZONE ALARMS & ALARM RESTORE		
[320]-[327]	Zone Alarms & Alarm Restores	These reporting codes are used by the communicator to transmit zone alarms and restores for zones 1 to 64. These codes are sent to the Alarm & Restore call direction group of the Partition.
[328] MISCELLANEOUS ALARM REPORTING CODES		
1	Duress Alarm	This reporting code will be transmitted to the monitoring station whenever a Duress code is used to perform any function on the system. The code is sent to the Alarm & Restore call direction group of the Partition.
2	Opening After Alarm	This reporting code will be transmitted to the monitoring station on Opening if an alarm has occurred during the previous armed period. The code is sent to the Alarm & Restore call direction group of the Partition.
3	Recent Closing	A Recent Closing transmission shall be sent if an alarm occurs within 2 minutes of an exit time expiration. The Recent Closing report will be sent for the first alarm only. This code is sent to the Alarm & Restore call direction group of the Partition.
4, 5	Zone Expander Supervisory Alarm & Restore	If the system loses communications with a Zone Expander Module (PC5132, Keypad with on-board zone), this reporting code will be sent to the Alarm Call Direction group of the System. This is independent of the General System Supervisory code sent to the Maintenance Call Direction group.
6	Cross Zone / Police Code Alarm	When using Cross Zoning (Section 018, Option 6 ON), this reporting code will be sent when two 'crossed' zones go into alarm during the Cross Zone period. When using Police Code (Section 018, Option 6 OFF), this reporting code will be sent when any two zones go into alarm. The Double Hit option allows the Cross Zone Police Code reporting code to be sent when two zone alarms occur on the same zone. The Burglary Verified timer also applies to the Double Hit option. Only zones programmed as Interior, Interior Delay, Interior Stay/Away, or Delay Stay/Away are included in the Double Hit option. See Section [176], Burglary Verified Timer and Section [017] Opt 4, Double Hit. NOTE: Only one reporting code will be sent during each armed to armed period when using Police Code.
7	Burglary Not Verified	When using Cross Zoning (Section 018, Option 6 ON), this reporting code will be sent if the Cross Zone timer is initiated by the first cross zone alarm, but is not verified by a second before the timer expires. Valid entries for the Burglary Verified timer are 000-255 minutes (000 to disable).
8	Alarm Canceled	If an alarm event is sent after transmission delay has expired, then a cancel window time will start. If a valid access code is entered during this window, then the Alarm Canceled event is logged and sent. When this reporting code/event has been acknowledged by the central station a keypad ring-back will occur.
[329] PRIORITY ALARM AND RESTORE		
1,2,3,5,6,7	[F], [A], [P] Alarms & Restores	These reporting codes will be sent if the keys are used to generate manual alarms. These codes are sent to the Alarm & Restore call direction group.
4, 8	Auxiliary Input Alarm / Restore	If a PGM 2 Input is used, these reporting codes will be sent for the alarm and restore on that input.
[330] - [337] ZONE TAMPERS & TAMPER RESTORES		
[330] - [337]	Zone Tamperers & Tamper Restores	These reporting codes are used by the communicator to transmit zone tamperers and restores for zones 1 to 64. These codes are sent to the system Tamper Alarm & Tamper Restore call direction group of the System.
[338] MISCELLANEOUS TAMPER REPORTING CODES		
1, 2	General System Tamper & Restore	This reporting code is sent whenever an enrolled module with Tamper inputs is placed in the Tamper alarm state. These codes are sent to the system Tamper Alarm & Tamper Restore call direction group.
3	Keypad Lockout (See Section 5.0)	This reporting code is sent whenever the System enters Keypad Lockout. This code is sent to the system Tamper Alarm & Tamper Restore call direction group of the System.
[339] - [341] CLOSING (ARMING) REPORTING CODES		
	Closing by Users 1-32, 40, 41, 42	A closing by any of these access codes will result in transmission of the corresponding reporting code. These codes are sent to the Opening and Closing call direction group of the System. "Armed in Stay Mode" or "Armed in Away Mode" will be logged for this closing type.
[344] 1, 2	Closing by Users 33 & 34 (Duress)	A closing by these access codes will result in transmission of the corresponding reporting code. These codes are sent to the Opening and Closing call direction group of the System. See also Duress Alarm Reporting Code.
6	Partial Closing	This reporting code will be transmitted to the Central Station with the Closing code if there were zones manually bypassed at the time of arming to warn of a security compromise. Automatic bypasses caused by Stay Arming will not cause this code to be transmitted. Zones force armed by Automatic Arming will transmit in the manner described above. If SIA is used, each zone will be identified using the UB-XX (Untyped Bypass) identifier. The identified zones will follow the partial closing code and precede the closing transmission.

[320]-[349] REPORTING CODES		
Option	Report Code	Description
7	Special Closing	If the system is closed (armed) using any of the following methods, this reporting code will be transmitted. "Armed in Stay Mode" or "Armed in Away Mode" will be logged for all closing types. <ul style="list-style-type: none"> • Maintenance Code, • Keyswitch Zone • Downloading • Quick Arm (*0) • Auto Arming.
8	Late to Close	If Section 017, Option 5 is ON, when an Auto Arm pre-alert expires, this reporting code will be sent.
	Exit Fault	If an Exit Fault Pre-alert occurs and Entry delay expires before the system is disarmed, this reporting code will be sent.
[342] - [344] CLOSING (ARMING) REPORTING CODES		
	Opening by Users 1-32, 40, 41, 42	An opening by any of these access codes will result in transmission of the corresponding reporting code. These codes are sent to the Opening and Closing call direction group
[344]	Opening by Users 33 & 34 (Duress)	An opening by these access codes will result in transmission of the corresponding reporting code. These codes are sent to the Opening and Closing call direction group of the System. See also Duress Alarm Reporting Code.
[344]	Auto Arm Cancel/Postpone	This reporting code is transmitted when the Auto Arming sequence is canceled or postponed. Cancellation or postponement of the sequence can be achieved by entering an access code or by pressing the 'Disarm' Key on an identified WLSKey during the Auto-Arm-Pre-Alert.
[344]	Special Opening	If the system is opened (disarmed) using any of the following methods, this reporting code will be transmitted. <ul style="list-style-type: none"> • Maintenance Code • Keyswitch Zone (WLSKey) • Downloading.
[345] - [346] MAINTENANCE ALARM AND RESTORAL REPORTING CODES		
1	Battery Trouble & Restore	The panel will transmit a Battery Trouble Alarm Reporting Code when the backup battery drops below 11.5 Vdc. The Battery Trouble Restoral Reporting Code will not be transmitted until the battery has been charged over 12.5 Vdc. These codes are sent to the System Maintenance Call Direction Group.
2	AC Failure & Restore	If the AC supply has failed or has been restored, these reporting codes will be sent. There is a programmable delay (001-255 minutes) which applies to the trouble and the restore. These reporting codes are sent to the System Maintenance Call Direction Group.
3	Bell Circuit Trouble & Restore	If the Bell circuit has been opened or the bell is disconnected, this trouble will be reported. The Bell Circuit Trouble Restoral Reporting Code will be transmitted as soon as the problem is corrected. These codes are sent to the System Maintenance Call Direction Group.
4	Fire Trouble & Restore	An open circuit on any Fire Zone will cause this trouble to be reported. The Fire Trouble Restoral Reporting Code will be transmitted as soon as the problem is corrected. These codes are sent to the System Maintenance Call Direction Group (see section 5.3 Basic Programming on page 20).
5	Auxiliary Power Supply Trouble & Restore	If an auxiliary voltage supply trouble occurs (the Aux PTC has caused the Auxiliary Supply to stop outputting power to the Keybus), this trouble is reported. These codes are sent to the System Maintenance Call Direction Group. NOTE: <i>If the Electronic Fuse opens due to a short circuit or high current draw, the panel will not power up when the short is removed if there is still a load applied. The panel must be powered down and then powered up to restore this condition.</i>
6	TLM Trouble & Restore	The TLM Trouble code is sent via the LINKS1000 Cellular Transmitter if enabled and programmed. The TLM Restore code is sent when the telephone line is restored from the trouble condition. These reporting codes are sent to the System Maintenance Call Direction Group. NOTE: <i>The panel will only transmit the signal after the time programmed for the TLM Trouble Delay.</i>
7	General System Trouble & Restore	These reporting codes are transmitted to report miscellaneous system troubles not reported individually. Possible causes of this report are as follows: <ul style="list-style-type: none"> • PC520X - AC Trouble / Restore • PC520X - Battery Trouble / Restore • PC5204 - Supervised Output Circuit Trouble / Restore • PC520X - Aux Circuit Trouble / Restore These reporting codes are sent to the System Maintenance Call Direction Group. NOTE: <i>'PC5400 On/Offline and Home Automation Trouble/Restore events' generate the General System Trouble, but do not communicate this reporting code.</i> NOTE: <i>The General System Trouble Restoral Reporting Code will be transmitted when all of the listed problems are corrected.</i>
8	General System Supervisory & Restore	These reporting codes are transmitted to indicate that the system has lost communications to an enrolled module or a Keybus Fault has been detected. The first alarm and last restore will initiate the communications. These codes are sent to the System Maintenance Call Direction Group. NOTE: <i>If a PC5132 has a supervisory trouble, the panel will signal a Zone Expander Supervisory alarm, even if only Wireless Keys are enrolled on the module.</i>

[320]-[349] REPORTING CODES		
Option	Report Code	Description
[347] MISCELLANEOUS REPORTING CODES		
1, 2	Failure to Communicate (Phone Numbers 1 & 2)	<p>When events fail to communicate to either telephone number, this reporting code will be transmitted the next time a communication is successful. The information will be transmitted in the following order.</p> <ul style="list-style-type: none"> • OLD EVENT(S) • FAILURE TO COMMUNICATE (PHONE #1) • NEW EVENT(S) <p>If multiple FTC's occur, this FTC reporting code will create blocks of old information. The FTC reporting code does not follow any call direction "group". This code is sent to every group's call directions on transmission of failed event transmissions. When event(s) fail to communicate to a telephone number, there will not be an attempt to communicate again until another event is sent to that phone number.</p>
3	Event Buffer is 75% Full Since Last Upload	When the internal 256 Event Buffer is 75% full since the last successful upload to a computer, this reporting code will be transmitted. This code is sent to the System Maintenance Call Direction Group.
4, 5	DLS Lead In and Lead Out	<p>The DLS Lead Out Reporting codes are transmitted by the panel when DLS has completed a successful DLS call to the panel. The DLS Lead In reporting code is transmitted two ways:</p> <ul style="list-style-type: none"> • After the panel has been successfully called by DLS, but before the panel calls DLS back via the Downloading Telephone Number when Callback is enabled. • Upon a User Initiated Call-up. <p>These reporting codes are sent to the System Maintenance Call Direction Group.</p>
6, 7	Zone Fault Alarm & Restore	This reporting code is sent when a zone has entered the Fault state. This refers to the short state on DEOL hardwired zones and/or a loss of supervisory on a wireless zone. These codes are sent to the System Maintenance Call Direction Group.
9, 10	General Zone Low Battery Alarm and Restore Codes	These reporting codes are sent to report a Low Battery condition on the system. Individual zones are not described using the Pulse formats however the individual zones will be logged to the event buffer. SIA and Contact I.D. formats will identify the zone with the condition. A zone trouble will be displayed immediately but the transmission may be delayed (see Section [377]). A low battery restore may only take place after the alarm sensing device has been tampered and the batteries have been changed. These reporting codes are transmitted to the System Maintenance Call Direction group.
[348] TEST TRANSMISSION REPORTING CODES		
1, 2	Walk Test Begin / End	These reporting codes are sent when Walk test is initiated and terminated.
3	Periodic Test Transmission with Trouble	<p>This reporting code will be sent to the central monitoring station instead of Periodic Test Transmission when the programmed interval and time of day have elapsed and one or more of the following unrestored condition exists:</p> <ul style="list-style-type: none"> • Fire Zone Trouble (Zones 1-64) • Fire Zone Alarm (Zones 1-64, Two-Wire Smoke) • Fire Trouble (Two-Wire Smoke) • Fire Tamper/Low Sensitivity (Wireless/AML Zones 1-32) • Fire Zones Bypassed (Zones 1-64) • Fire Supervisory (Wireless/AML Zones 1-32) • Fire Supervisory (Wireless/AML Zones 1-32) • AC Trouble (PC5020, PC520X) • Battery Trouble (PC5020, PC520X) • Aux Trouble (PC5020) • Bell Trouble (PC5020) • Module Supervisory • Ground Fault (PC5700) • TLM Trouble (PC5020, PC5700 Line 1-2) • FTC Trouble <p>This reporting code is sent to the System Test Transmission Call Direction Group.</p>
4	Periodic Test Transmission	The panel can send a Periodic Test Transmission Reporting Code at the programmed Test Transmission Time of Day (See section[378]) . The Test Transmission Cycle 9 (See Section [377]) determines the period of time between tests. When the test transmission cycle is programmed, the panel will send a test transmission the following day. This will indicate the beginning of the new test transmission cycle to central station.
5	System Test	When the [*] [6] [Master Code] [4] command is used to perform a manual system test, this reporting code is sent to test the communicator. This code is sent to the System Test Transmission Call Direction Group (see section [*] [6] User Functions on page 15).
6	LINKS1000 Test Transmission Code	The system will send this reporting code via the LINKS1000 cellular transmitter at the programmed interval (See Test Transmission Cycles Section [378]) and time of day (See Section [377]) of the LINKS Periodic Test Transmission. This code is sent to the System Test Transmission Call Direction Group.
[349] PC5700 MAINTENANCE REPORTING CODES		
1, 2	PC5700 Ground Fault Trouble & Restore	These codes are sent when a Ground Fault Trouble/Restore occurs on the PC5700.

[320]-[349] REPORTING CODES		
Option	Report Code	Description
3, 4, 5, 6,	PC5700 TLM Line 1/2 Troubles & Restore	These codes are sent when a TLM Trouble/Restore occurs on the PC5700 Line 1 and 2.

**[350] - Communicator Format Options
Communicator - Reporting Formats**

Each central station telephone number of the panel can be programmed to report using any one of the 5 formats available. The following formats are supported: Pulse (10 and 20 BPS), Contact ID, SIA, Residential Dial and a Pager format. The following is a description of each.

SIA (Level 2)

SIA is a specialized format that will communicate information quickly using frequency shift keying (FSK) rather than pulses. The SIA format will automatically generate the type of signal being transmitted, such as Burglary, Fire, Panic etc. The two digit reporting code is used to identify the zone or access code number.

NOTE: SIA format must be used if Downlook is required.

If the SIA format is selected the panel can be programmed to automatically generate all zone and access code numbers eliminating the need to program these items.

If the **SIA Sends Automatic Reporting Codes** option is enabled the panel will operate as follows:

1. If the reporting code for an event is programmed as [00] the panel will not attempt to call the central station.
2. If the reporting code for an event is programmed as anything from [01] to [FF] the panel will AUTOMATICALLY generate the zone or access code number.
3. Bypassed zones will always be identified when partial closing the system.

The Communicator Call Direction Options can be used to disable reporting of events such as Openings/Closings. Also, if all the Opening/Closing reporting codes were programmed as [00] the panel would not report.

If the **SIA Sends Automatic Reporting Codes** option is disabled the panel will operate as follows:

1. If the reporting code for an event is programmed as [00] or [FF] the panel will not attempt to call the central station.
2. If the reporting code for an event is programmed as anything from [01] to [FE] the panel will send the programmed reporting code.
3. Bypassed zones will not be identified when partial closing the system.

NOTE: Do not program the second telephone number for the SIA reporting code format (Section [360]) if the Automatic Reporting Code option is enabled (Section [381]).

NOTE: The zone number for Zone Low Battery and Zone Fault events will not be identified when Programmed SIA is used.

.....
SIA Sends Automatic Reporting Codes Section [381], Option [3]
Communicator Call Direction Options. . . Section [351] to [376]
SIA Identifiers Appendix A
.....

Residential Dial

If Residential Dial is programmed and an event that is programmed to communicate occurs, the panel will seize the line and dial the appropriate telephone number(s). Once the dialing is complete, the panel will emit an ID tone and wait for a handshake (press a 1, 2, 4, 5, 7, 8, 0, ★ or # key from any telephone). It will wait for this handshake for the duration of **Post Dial Wait for Handshake** timer. Once the panel receives the handshake, it will emit an alarm tone over the telephone line for 20 seconds. If several alarms occur at the same time, only one call will be made to each telephone number the panel is programmed to call.

NOTE: The Residential Dial format will not work over the LINKS1000.

.....
Communicator Call Direction Options. . . Section [361] to [368]
.....

Pager Format

The **Communicator Format** option for either telephone number can be programmed for Pager Format. If an event occurs and the **Communicator Call Direction** options direct the call to a telephone number with the Pager Format selected the panel will attempt to page.

When calling a pager extra digits will be required to make it work properly. The following is a list of Hex digits and what function they perform:

- Hex [A] - not used
- Hex [B] - simulates the [] key on a touch tone telephone
- Hex [E] - two second pause
- Hex [C] - simulates the [#] key on a touch tone telephone
- Hex [F] - end of telephone number marker
- Hex [D] - forces the panel to search for dial tone

The panel will attempt to call the pager one time. After dialing the digits in the telephone number the panel will send the account number and reporting code followed by the [#] key (Hex [C]).

There is no ringback when using Pager Format. The panel has no way of confirming if the pager was called successfully; a failure to communicate trouble will only be generated once the maximum number of attempts has been reached.

NOTE: The Pager Format cannot be used with the LINKS1000 cellular communicator.

NOTE: Do not use the digit C in a reporting code when using Pager Format. In most cases, the digit C will be interpreted as a [#], which will terminate the page before it has finished.

NOTE: If the panel detects a busy signal, it will attempt to page again. It will make the maximum number of attempts programmed in section [165].

Force dialing should be disabled when using Pager format.

NOTE: When using Pager format, you must program two hex digit E's at the end of the telephone number.

NOTE: If an Automatic Communications format is used for any other phone number, the desired reporting code to be transmitted via Pager must be programmed for the event.

Pulse Formats

Depending on the pulse format selected the panel will communicate using the following:

- 3/1, 3/2, 4/1 or 4/2
- 1400 or 2300 Hz handshake
- 10 or 20 bits per second
- non-extended

The digit '0' will send no pulses and is used as a filler. When programming account numbers enter four digits. When programming a three digit account number the fourth digit must be programmed as a plain '0' which will act as a filler digit.

If an account number has a '0' in it, substitute a HEX digit 'A' for the '0'. Examples:

- 3 digit account number [123]- program [1230]
- 3 digit account number [502] - program [5A20]
- 4 digit account number [4079] - program [4A79]

When programming reporting codes two digits must be entered. If one digit reporting codes are to be used the second digit must be programmed as a '0'. If a '0' is to be transmitted substitute a HEX digit 'A' for the '0'. Examples:

- 1 digit reporting code [3] - program [30]
- 2 digit reporting code [30] - program [3A]

To prevent the panel from reporting an event program the reporting code for the event as [00] or [FF].

NOTE: This communication format cannot be selected if Downlook is required.

Contact ID

Contact ID is a specialized format that will communicate information quickly using tones rather than pulses. In addition to sending information more quickly the format also allows more information to be sent. For example, rather than reporting an alarm zone 1 the Contact ID format can also report the type of alarm, such as Entry/Exit alarm zone 1.

If **Contact ID Sends Automatic Reporting Codes** is selected, the panel will automatically generate a reporting code for each event. These identifiers are listed in Appendix A. If the Automatic Contact ID option is not selected, reporting codes must be programmed. The 2-digit entry determines the type of alarm. The

panel will automatically generate all other information, including the zone number.

NOTE: If the Automatic Contact ID option is selected, the panel will automatically generate all zone and access code numbers, eliminating the need to program these items.

NOTE: Regardless of the zone type programmed, the panel will report all zones as burglary zones when Automatic Contact ID is selected. If you need to report other zone types, you must use Programmed Contact ID reporting codes.

NOTE: The zone number for Zone Low Battery and Zone Fault events will not be identified when Programmed Contact ID is used.

If the **Contact ID uses Automatic Reporting Codes** option is enabled, the panel will operate as follows:

- If an event's reporting code is programmed as [00], the panel will not attempt to call the central station.
- If the reporting code for an event is programmed as anything from [01] to [FF], the panel will automatically generate the zone or access code number. See Appendix A for a list of the codes which will be transmitted.

If the **Contact ID uses Programmed Reporting Codes**

option is enabled, the panel will operate as follows:

- If an event's reporting code is programmed as [00] or [FF], the panel will not attempt to call central station.
- If the reporting code for an event is programmed as anything from [01] to [FE], the panel will send the programmed reporting code.
- Account numbers must be four digits.
- If the digit '0' is in the account number substitute the HEX digit 'A' for the '0'.
- All reporting codes must be two digits.
- If the digit '0' is in the reporting code substitute the HEX digit 'A' for the '0'.
- To prevent the panel from reporting an event program the reporting code for the event as [00] or [FF].

NOTE: This communication format cannot be selected if Downlook is required.

 Contact ID Sends Automatic Reporting Codes Section [381], Option [7]

This section requires 2 two digit entries (1 per phone number). The 3rd telephone number uses the format programmed for the 1st telephone number.

Entry	Communication Format
01	20 BPS, 1400 HZ handshake
02	20 BPS, 2300 HZ handshake
03	CONTACT I.D.
04	SIA FSK
05	Pager
06	Residential Dial
07	10 BPS, 1400 Hz handshake
08	10 BPS, 2300 Hz handshake

REPORTING CODES

- SIA -0 is valid in Account or Rep Code (not 00 in a Reporting code though)
- ADEMCO Contact ID - 0 is not valid in Account or Rep Code (A must be used, 10 in checksum)

- BPS Formats - 0 is not valid in Account or Rep Code (A must be used)
- SIA - This format uses 300 Baud FSK as the communication media. The Account Code can be 4 or 6 hexadecimal digits in length, All reporting codes must be 2 digits in length. The SIA format will transmit a 4 (or 6) digit account code, a 2 digit identifier code and a 2 digit reporting code. The 2 digit identifier is pre programmed by the panel.

Telephone Line Monitoring (TLM)

When the **TLM Enable** option is selected, the panel will supervise the telephone line and will indicate a trouble condition if the telephone line is disconnected.

If the TLM Enable option is ON, the panel will check the telephone line every 10 seconds. If the telephone line voltage is below 3V for the number of checks programmed in the **TLM Trouble Delay** section, the panel will report a TLM trouble. The default number of checks is 3. Enter a number from (000) to (255) in the TLM Trouble Delay section to change the number of checks before the TLM trouble is reported. Programming a delay means that a momentary interruption of the telephone line will not cause a trouble condition.

If the **TLM Trouble Beeps When Armed** option is enabled, the panel will indicate a TLM trouble at the keypad while the system is armed. To activate the bell output in the case of a TLM trouble while the system is armed, the **TLM Audible (Bell) When Armed** option must be selected.

When the trouble condition is restored, the panel can send a **TLM Restoral** reporting code. Any events which occur while the telephone line is down will also be communicated.

If the LINKS1000 Cellular Communicator, or LINKS2X50 is being used, the panel can be programmed to report a **TLM Trouble Reporting Code**.

[351]-[376] - Communicator Call Directions

For events from each Call Direction group the control panel can call 2 different phone numbers and use the LINKS as backup or as a redundant communicator for one or both numbers. The Third phone number can only be used as a backup or alternate of the first.

Each report falls under one of the following 5 Groups:

1. Partition X Alarms & Restores
2. Partition X Openings & Closings
3. Partition X Tamper & Restores
4. System Maintenance Alarms & Restores
5. System Test Transmissions

Each group can be assigned to the following Call Directions

1. **Option 1** - 1st Telephone Number (and 3rd Telephone Number if enabled for Alternate or Backup)
2. **Option 2** - 2nd Telephone Number
3. **Option 3** - 1st Telephone Number Via LINKS (and 3rd Telephone Number if enabled for Alternate or Backup)
4. **Option 4** - 2nd Telephone Number Via LINKS
5. **Option 5** - Alternate Communicator. This allows the panel to have control of what types of events the LINKS2X50 products will communicate. This Call Direction is enabled at default.

[377] COMMUNICATION VARIABLES

[377] - COMMUNICATION VARIABLES	
Variable	Description
Swinger Shutdown (Alarms & Restores)	<p>This value defines the number of attempts (alarm and restore pairs) per zone that the communicator will make before it shuts down for that zone ("swinger shutdown"). Program 001 or 002 in this entry. When programmed as 000, the communicator will shut down after 2 Alarm/Restore pairs.</p> <p>Different limits can be programmed for Zone Alarms, Zone Tampers and Maintenance signals. After the panel has communicated the programmed number of transmissions for an event it will no longer report that event until the swinger shutdown is reset. For example, the swinger shutdown limit for Zone Alarms is set to [001]. The panel will not send more than 1 alarm signal for each zone with a swinger attribute until the swinger shutdown is reset. Swinger Shutdown will be reset on all partitions after 48 hours of no zone activity, and on individual partitions when they are armed.</p> <p>The Bell output will not be activated for alarms on zones that have exceeded the limit of alarms set in the Swinger Shutdown counter. Swinger shutdown on global zones will log once to the System Area.</p> <p>NOTE: <i>The Event Buffer can follow Swinger Shutdown if enabled.</i></p>
Swinger Shutdown (Tampers & Restores)	<p>This value defines the number of times the same system Tamper type event will occur before stopping transmissions. Valid entries are 000 to 014.</p>
Swinger Shutdown (Maintenance Troubles & Restores)	<p>This value defines the number of times the same system Maintenance (Trouble) type event will occur before stopping transmissions. Fire Troubles will follow the Maintenance Swinger Shutdown Variable. Swinger Shutdown is enabled on Zone Types [01]-[06] and [25] on all panels by default, and on all definitions. Valid entries are 000 to 014.</p>
Communication Delay (Seconds)	<p>This value defines the delay before transmission. The delay is for zones which have the Transmission Delay attribute enabled. Program a time from 015 to 045 seconds. This communications transmission delay will be by partition. Each partition will share the same active timer, so if the delay is already active due to an alarm on a different partition, then any new activity on yet another partition will not restart the communications delay timer.</p> <p>NOTE: <i>If global zones are used with communications delay, then to stop all alarms from being sent when the communications delay expires, access codes must be entered on all partitions that went in alarm from that global zone.</i></p> <p>NOTE: <i>If transmission delay starts on one partition, other partitions cannot cancel it. If transmission delay is active on more than one partition, and a code is entered on one of them, that partition's transmission delay will be cancelled.</i></p> <p>Refer to Zone Attributes Section [101]-[164], option [7]</p>
AC Failure Communication Delay (Minutes/Hours)	<p>This value determines the delay before an AC FAILURE or AC RESTORE is reported. The AC failure or restore is still displayed immediately. Valid entries are from 000 to 255 minutes.</p> <p>NOTE: <i>If AC Failure Communications Delay is programmed as 000, the AC Failure Trouble reporting code will be sent immediately.</i></p>
TLM Trouble Delay	<p>The number of valid checks (10 second interval) required before a Telephone Line trouble is generated is programmed here. Valid entries are 000-255 for trouble annunciation and transmission (LINKS) delays of 10 to 2550 Seconds (42.5 Minutes).</p>
Test Transmission Cycle (Land Line)	<p>This value determines the period between Test Transmissions for the Land Line. Valid entries are [000]-[255]. Whether this interval is in minutes or days is determined on Section [702], Option 3.</p>
Test Transmission Cycle (LINKS1000)	<p>This value determines the period between Test Transmissions for the LINKS1000. Valid entries are [000]-[255]. The period is in days or hours. This applies to Land-line and LINKS Test Transmissions, and for minutes and hours for the Land-line (LINKS only uses Hours).</p> <p>NOTE: <i>When a new value is programmed (locally or remotely), the panel will transmit a Test transmission when the next Test Transmission Time is reached. The panel will then load in the new value, and continue the cycle based on this new value. This informs the Installer/Central to expect the next Test Transmission when the cycle has been changed.</i></p>
Wireless Zone Low Battery Transmission Delay (Days)	<p>When a zone reports a low battery condition, the trouble condition will be indicated immediately on the keypad, but the transmission to the monitoring station will be delayed by the number of days programmed in this section. If the user does not correct the low battery condition before the delay expires, the low battery condition will be transmitted. The Low Battery Restore transmission is not delayed.</p> <p>NOTE: <i>The panel will not send additional low battery events until the first low battery trouble is restored.</i></p>

[377] - COMMUNICATION VARIABLES	
Variable	Description
Delinquency Transmission Delay	<p>The value in this section determines the period of time that the Delinquency Event will be postponed until it is logged to the Event Buffer and transmitted. Whether this value is in hours or days is determined if Delinquency is for Activity (hours) or Closing (days) as specified in Section [380] Option 8.</p> <p>The timer start under the following conditions:</p> <ul style="list-style-type: none"> • When the system is armed in the Stay mode • When the system is disarmed • When a zone is violated and restored while the system is disarmed/Stay armed (Interior, Interior Delay, Interior Stay/Away, or Delay Stay/Away zones only). <p>The activity delinquency timer will be ignored when the system is armed in the Away mode. Zones that are bypassed in the [*][1] Bypass menu will not reset the timer.</p> <p>If the system is programmed to monitor Closing Delinquency, the timer will be programmed in days. The timer will restart every time the system is disarmed.</p> <p>Activity/Closing DelinquencySection [380], option [8]</p>
Communications Cancel Window	<p>After TX Delay expires and a zone alarm has been transmitted, the Cancel window will begin. If an access code is entered during this window, a Communications Cancel reporting code will be communicated. If the window expires without an access code entered or a code is entered after the window, no Opening After Alarm log or communication will occur.</p>

[378] - Test Transmission Time of Day

Program the time of the test transmission in this section. Enter a 4-digit time using the 24 hour clock format (HH:MM). Valid entries are from 00 to 23 for the hours (HH) and 00 to 59 for the minutes (MM).

To disable the test transmission, enter [9999] in this section.

[380]-[382] COMMUNICATOR OPTION CODES

[380] - FIRST COMMUNICATOR OPTION CODES			
Option	Communicator Code	On/Off	Description
1	Communications	ON	Communicator Enabled. The system's communicator will be enabled and all events with reporting codes will be reported to the monitoring station. Refer to the Telephone Number, Reporting Code and Call Direction Programming Sections.
		OFF	Communicator Disabled. The system's communicator will be shut off and events will not be transmitted to the monitoring station. Downloading may still be performed if enabled.
2	Restore Transmission	ON	Restore Transmissions on Bell-Time-out. Zone restore reporting codes will not be transmitted until the zone has been restored and the Bell cut-off time has expired. If the zone is not restored when the bell cut-off time expires, the restore will be transmitted when the zone physically restores or when the system is disarmed. <i>NOTE: 24 Hour zones will not restore until the zone is physically restored.</i>
		OFF	Restore Transmissions Follow Zones. Zone restore reporting codes will be transmitted when the zone is physically restored. If the zones are still active when the system is disarmed, the restore codes will be transmitted when the system is disarmed. <i>NOTE: 24 Hour zones will not restore until the zone is physically restored.</i>
3	Dialing Method	ON	Pulse Dialing enabled. The control panel will dial telephone numbers using pulse (rotary) dialing.
		OFF	DTMF Dialing enabled. The control panel will dial telephone numbers using DTMF (dual tone multi-frequency) dialing.
4	Switch to Pulse Dialing	ON	Switch to Pulse Dialing after 4 DTMF attempts. If DTMF dialing is enabled, the control panel will dial telephone numbers using DTMF dialing for the first 4 attempts. If unsuccessful, the control panel will switch to pulse (rotary) dialing for the remaining attempts.
		OFF	DTMF Dial for all Attempts. If DTMF dialing is enabled, the control panel will dial telephone numbers using DTMF dialing for all dialing attempts.
5	3rd Phone Number Enable	ON	3rd Phone Number Enabled. The 3rd Phone number will be used for Alternate Dialing with the 1st Phone Number or as a Backup of the 1st Phone Number (see light 6).
		OFF	3rd Phone Number Disabled. The 3rd Phone number will not be used.
6	3rd Phone Number	ON	Alternate Dialing Enabled (1st & 3rd). After each dialing attempt, the communicator switches between the 1st Phone Number and 3rd Phone Number.
		OFF	Call 1st Number, Backup to 3rd Number. If the programmed number of attempts to communicate to the First Telephone Number fail, The same number of attempts will be made to communicate to the Third Telephone Number. If all attempts to communicate to the Third Telephone Number fail, a Failure to Communicate Trouble will be generated.
7	LINKS Dialing	ON	Call LINKS as well as Land-line(s). The control panel will dial the programmed number of attempts through the LINKS, followed by the number of programmed attempts over the land-line regardless of whether the communication over the LINKS was successful.
		OFF	LINKS is backup of Land-line(s). The control panel will dial through the LINKS if the panel is having difficulty communicating over the phone line. For each failed attempt to the land line, one attempt will be made to the LINKS1000.
8	Delinquency	ON	Delinquency Follows Zone Activity (Activity Delinquency). This feature assists in the monitoring of the elderly and the handicapped. If there is no zone activity on a partition, the Delinquency Transmission Delay timer in Section [370] will begin counting in hours. When the counter reaches the programmed time, the panel will communicate the Delinquency Code to the central station, if programmed. If there is zone activity present on the system at any time, the counter will be reset. If this option is used, the Closing Delinquency option is not available. <i>NOTE: This code will not be transmitted for partitions that are "Away" armed. Activity on Bypassed zones does not affect this timer. The timer is reset on arming.</i>
		OFF	Delinquency Follows Arming (Closing Delinquency). This reporting code is sent whenever the programmed number of days for Delinquency has expired without the partition being Armed. The timer for this feature is programmed in Section [370]. The value programmed in this section determines the number of days the partition counts when not being armed before sending the Delinquency reporting code to the central station. Once this code is sent, the timer will not be started again until the partition has been armed. Each day programmed in the counter represents one day PLUS the time it takes for the partition to reach midnight. This feature may be disabled by programming 000 in Section [370].

[381] - Second Communicator Option Codes

[381] - SECOND COMMUNICATOR OPTION CODES			
Option	Communicator Code	On/Off	Description
1	Opening After Alarm Keypad Ringback	ON	Opening After Alarm Keypad Ringback Enabled. When the Opening After Alarm reporting code is successfully transmitted to a programmed telephone number, the keypad will sound a series of 8 beeps to confirm to the end user that the Opening After Alarm Code was sent and received. This Ringback will occur for each Opening After Alarm code successfully reported.
		OFF	Opening After Alarm Keypad Ringback Disabled
2	Opening After Alarm Bell Ringback	ON	Opening After Alarm Bell Ringback Enabled. When the Opening After Alarm reporting code is successfully transmitted to a programmed telephone number, the Bell will sound a series of 8 squawks to confirm to the end user that the Opening After Alarm Code was sent and received. This Ringback will occur for each Opening After Alarm code successfully transmitted.
		OFF	Opening After Alarm Bell Ringback Disabled
3	SIA Reporting Codes	ON	SIA Sends Programmed Rep. Codes. This option is for use with the SIA communication format. If 00 is programmed in the reporting code section, the event will not be communicated. When this option is ON and there is a valid reporting code programmed in the reporting code section, the programmed reporting code will be transmitted. If FF is programmed as a reporting code, the event will not be communicated. Reporting Code Entry Option ON Option OFF 00 No Transmission No Transmission FF No Transmission Auto Rep Code sent 01-FE 01-FE sent Auto Rep Code sent
		OFF	SIA Sends Automatic Rep. Codes. When this option is OFF and there is a valid reporting code (01-FE) or FF programmed in the reporting code section, the panel will transmit an automatic reporting code for SIA only. This would be used when automatic reporting codes are required but there is a requirement for a different reporting code (i.e. Pager Format, etc.).
4	Closing Confirmation	ON	Closing Confirmation Enabled. When a Closing reporting code is successfully transmitted to a programmed telephone number, the keypad will sound a series of 8 beeps to confirm to the end user that the Closing Code was sent and received.
		OFF	Closing Confirmation Disabled. There will be no keypad ringback when a Closing reporting code is successfully transmitted to a programmed telephone number.
5	Talk/Listen Options for Phone Number One/Three	ON	Talk/Listen (PC5936) on Phone #1/3 Enabled. If Talk/Listen is requested for an event by the PC5936, the panel will request the session on the next communication on Phone Number 1/3 to the central station.
		OFF	Talk/Listen (PC5936) on Phone #1/3 Disabled. The panel will not request a Talk/Listen session for an event even if the PC5936 has requested it.
6	Talk/Listen Options for Phone Number Two	ON	Talk/Listen (PC5936) on Phone #2 Enabled. If Talk/Listen is requested for an event by the PC5936, the panel will request the session on the next communication on Phone Number 2 to the central station.
		OFF	Talk/Listen (PC5936) on Phone #2 Disabled. The panel will not request a Talk/Listen session for an event even if the PC5936 has requested it.
7	Contact I.D. Reporting Codes	ON	Contact I.D. Uses Programmed Reporting Codes. The Contact I.D. communications format will use programmed reporting codes when transmitting to central station.
		OFF	Contact I.D. Uses Automatic Reporting Codes. The Contact I.D. communications format will use the automatic reporting codes as shown in Appendix C when transmitting to central station.
8	Local Mode	ON	Local Mode Enabled. The panel will always send events to the PC5108L Module. Downlook will not be initiated if requested.
		OFF	Local Mode Disabled. The panel will only send events that are being communicated to the PC5108L Module. Downlook will be initiated when requested.

[382] - THIRD COMMUNICATOR OPTION CODES			
Option	Communicator Code	On/Off	Description
1	Contact I.D. Partial Closing Identifier	ON	Partial Closing Identifier = 5. Contact I.D. uses '5' as the Identifier for the Partial Closing event.
		OFF	Partial Closing Identifier = 4. Contact I.D. uses '4' as the Identifier for the Partial Closing event. This option is defaulted OFF.
2	Walk Test Communication	ON	Zone Alarms Communicate during Walk Test Enabled. Zone alarms that occur during Walk Test will communicate if programmed to do so.
		OFF	Zone Alarms Communicate during Walk Test Disabled. Zone alarms that occur during Walk Test will not communicate even if programmed. This option is defaulted OFF.

[382] - THIRD COMMUNICATOR OPTION CODES			
Option	Communicator Code	On/Off	Description
3	Communications Cancelled Message	ON	Communications Cancelled Message Enabled. The "Communications Cancelled" (LCD5500Z) or "CC" (LCD5501Z) message will be displayed if alarms are acknowledged during the Transmission Delay time. This message will be displayed for 5 seconds on all keypads on the partition. The acknowledgment can be from an access code, disarm function key, or a keyswitch zone.
		OFF	Communications Cancelled Message Disabled. The "Communications Cancelled" message will not be displayed. This option is defaulted OFF.
4	Call Waiting Cancel	ON	Call Waiting Cancel Enabled. The Call Waiting dialing string programmed in Section [304] will be dialed before the first attempt of each phone number. All subsequent dialing attempts to the same phone number will not use the Call Waiting Cancel dialing string.
		OFF	Call Waiting Cancel Disabled. The Call Waiting dialing string will not be dialed. This option is defaulted OFF.
5-8		ON	For Future Use

[390]-[393] LINKS PREAMBLES

Downloading can be performed through the LINKS1000 cellular communicator if the telephone line is disconnected. If using the LINKS1000 with Call Back, you need to program the LINKS1000 Preamble with the downloading telephone number in order for the panel to call the computer correctly.

LINKS1000 Cellular Communicator

The LINKS1000 cellular communicator can be used three different ways: as the sole communicator for the panel, as a back up for either or both telephone numbers, or as a redundant back up to the land line communicator (the panel will call both the land line and via the LINKS1000). A **LINKS1000 Preamble** is programmable for each telephone number in the event that the land line number is local but the LINKS1000 is required to dial an exchange. When programming a LINKS1000 Preamble, all unused digits must be programmed with a hex decimal "F".

Sole Communicator

The panel can be programmed to report only using the LINKS1000 cellular communicator when an event occurs. To program this select only the LINKS1000 for the **Communicator Call Direction** Options for the event. In addition the **Call LINKS1000 as well as Land Line** option must also be enabled. When the selected event occurs the panel will only attempt to call central station using the LINKS1000.

NOTE: If a LINKS1000-only event fails to communicate, the LINKS1000 must successfully communicate a LINKS1000-only event in order for the FTC trouble to clear.

Backup Communicator

The panel can be programmed to call using the LINKS1000 cellular communicator if the panel is having difficulty communicating an event using the land line. To program this select the telephone number and LINKS1000 options for the Communicator Call Direction Options for the event. The LINKS1000 is Backup of Land Lines option must also be selected.

When used as a backup communicator the panel will attempt to call the central station in the following manner:

- the panel will try to call using land lines - if unsuccessful the panel will try to call using the LINKS1000
- if unsuccessful the panel will try to call using the land lines
- if unsuccessful the panel will try to call using the LINKS1000

This process will continue until the panel has successfully communicated with the central station or the **Maximum Dialing Attempts** has been reached.

Redundant Communicator

The panel can be programmed to call using the land line and the LINKS1000 cellular communicator when an event occurs. To program this select both the telephone number and the LINKS1000 options for the **Communicator Call Direction** Options for the event. In addition the **Call LINKS1000 as well as Land Line** option must be selected. The panel will call the LINKS1000 and then call the land line when reporting the selected event.

LINKS1000 Special Preamble

In some areas of North America, dialing #DAT or *DATA reduces the cellular billing increment. The **LINKS1000 Special Preamble** (section [393]), allows the use of [*] and [#] characters for the programming of #DAT and *DATA. The LINKS1000 Special Preamble is sent BEFORE the Preamble programmed in Sections [390] to [392]. Example: [Special Preamble][Regular Preamble][Telephone Number]

NOTE: If this Special Preamble is programmed, it will be inserted before the Regular Preamble of ALL telephone numbers. Hex digits D and E are not supported for Preamble programming. If Busy Tone Detection is enabled, the LINKS1000 must be tested to ensure full operation.

Refer to the LINKS1000 Installation Manual for more information and connection diagrams.

.....
 (Downloading Telephone Number) Section [490]
 Communicator Call Direction Options . . . Section [351] to [376]
 Call LINKS1000 as well as Land Line . . .Section [380], Option [7]
 Maximum Dialing Attempts. Section [165]

This 4-digit number can be used with long distance telephone numbers that are dialed through the LINKS Module. These codes are used for programming area codes in cases where a land line telephone number may be a local call, while the cellular telephone number dialed by the LINKS module is a long distance call.

[393] - LINKS Special Function Preamble

This special preamble is inserted before all other preambles. It is used for dialing such cellular numbers as #DAT and *DATA for reduced billing increments.

5.7 Downloading Options

Downloading

Downloading allows programming of the entire control panel via a computer, modem and telephone line. All functions and features, changes and status, such as trouble conditions and open zones can be viewed or programmed by downloading.

NOTE: When power is applied to the panel, a 6 hour downloading window can be enabled. This will allow you to perform downloading without having to do any keypad programming.

NOTE: When an event occurs that the system is programmed to communicate to the central station, the panel will disconnect from the downloading computer and report the event. This will happen for all events except test transmissions.

If the **Answering Machine/Double Call** option is enabled (or during the first 6 hours after power up) the panel will answer incoming calls for downloading provided the following conditions occur:

1. The panel hears one or two rings then misses a ring.
2. At this point the panel will start a timer.
3. If the panel hears another ring before the **Answering Machine Double Call Timer** expires it will answer on the first ring of the second call.

The panel will immediately go on line and begin the download process unless the **Call Back** option is enabled. If enabled, the panel and computer will both hang up. The panel will then call the **Download Computer Telephone Number** and wait for the computer to answer. Once the computer answers downloading will begin.

If the **User Enabled DLS Window** option is ON, the user can activate the downloading feature by entering [*][6][Master Code][5].

Six hours after power up, the panel will not answer incoming calls unless the **Answering Machine/Double Call** option is enabled, or the **Number of Rings** is programmed to be more than [0].

If the **User Initiated Call-Up** option is enabled, the user can have the panel initiate a call to the downloading computer by pressing [*][6][Master Code][6].

The **Download Access Code** and **Panel Identifier Code** are for security and proper identification. Both the panel and the computer file should have the same information programmed before attempting to download.

The time to complete a successful download can be significantly reduced with the use of the PC-Link. This adaptor makes it possible to perform on-site downloading. To **Initiate Local Downloading via the PC-Link**, enter [*] [8] [Installer's Code] [499] [Installer's Code] [499]. All keypads will be busy for the duration of the PC-Link connection. The status LEDs will display the current system status on the keypad where the PC-Link was initiated. For more information on connecting the PC-Link, refer to your "PC-Link Download Kit Instruction Sheet".

Downloading can also be performed through the LINKS1000 cellular communicator if the telephone line is disconnected. If using the LINKS1000 with Call Back, you need to program the **LINKS1000 Preamble** with the downloading telephone number in order for the panel to call the computer correctly.

NOTE: When uploading labels from LCD keypads, the DLS software will receive the labels only from the LCD keypad assigned to slot 8. In addition, version 1.0 and version 2.0 LCD keypads are not compatible on the same system. For more information refer to the Download Manual included with the computer software.

NOTE: The most recent version of the LCD5500 keypad on the system should be assigned to slot 8.

.....	
Answering Machine Double Call Timer	Section[405]
Download Computer Telephone Number	Section[402]
Download Access Code	Section[403]
Panel Identifier	Section[404]
LINKS1000 Preamble (Downloading).	Section [490]
.....	

[401] - First Downloading Option Codes

[401] - FIRST DOWNLOADING OPTION CODES			
Option	Downloading Code	On/Off	Description
1	Downloading Answer	ON	Downloading Answer Enabled. The system will answer calls for downloading if a successful Double call routine is detected. Have the downloading computer call the system and let the telephone line ring once or twice. After 1 or 2 rings, hang up. If called back within the programmed Double Call Time (000-255 seconds), the panel will answer on the first ring.
		OFF	Downloading Answer Disabled. The system will not answer incoming calls using the Double Call routine unless the User enables the DLS window. This option can be enabled by turning Option 2 ON.
2	DLS Window	ON	User Can Enable DLS Window. The user can use the [*][6][Master Code][5] Command to enable a 6 hour window in which the panel will answer calls for downloading if a successful Double Call routine is detected. If this option is enabled, the window is open upon power up. The window is on for the full 6 hours if enabled.
		OFF	User Can Not Enable DLS Window. The user can not enable a window for DLS calls. <i>NOTE: Options 1 and 2 are not related. One does not need to be enabled for the other to perform its function.</i>
3	Call-Back	ON	Call-Back Enabled. When the system answers the downloading computer's call, both the computer and the panel will hang up. The panel will then call the Downloading Telephone Number and connect with the computer at that number. If more than one downloading computer is to be used, this function should be disabled.
		OFF	Call-Back Disabled. The downloading computer will have immediate access to the panel once it is identified as a valid system.
4	User Call-Up	ON	User Call-Up Enabled. When this feature is enabled, the user may initiate a single call of the Downloading Telephone by entering [*][6][Master Code][6].
		OFF	User Call-Up Disabled. An error tone will be generated when [*][6][Master Code][6] is entered.
5-8			For Future Use

[402] - Downloading Computer's Telephone Number

This telephone number is 32 digits in length.

[403] - Downloading Access Code

This 4-digit Hexadecimal code allows the panel to confirm that it is communicating with a valid downloading computer.

[404] - Panel Identification Code

This 4-digit Hexadecimal code allows the downloading computer to confirm the identity of the control panel.

[405] - Double-Call Timer

This timer sets the amount of time that can be taken between calls when using Double Call to contact the panel.

Valid entries are 001 to 255 (seconds)

[406] - Number of Rings to Answer On

The value in this section determines how many rings that the panel will automatically pick up on in order to establish a DLS connection. Default value is 000 rings. Valid entries are [000]-[020].

NOTE: If Section [401] Option 1 and Section [406] are enabled, either one will work depending on how the installer calls the premises.

[490] - LINKS DLS Phone Number Preamble

Refer to Section [390]

[499] - Initiate PC-LINK Communications

The installer may initiate a PC-LINK DLS session between a computer and panel by entering this section in the following manner:

[499] - [Installer's Code] [499]

The installer should already have the PC-LINK Cable properly connected between the panel's header and the downloading computer as well as have the DLS file waiting for the panel to connect before entering this command.

5.8 Programmable Output Programming

[501]-[515] - Programmable Output Attributes

PGM output attributes and output type must be programmed for each PGM output. PGM output options [09] "System Trouble" and [10] "Latched System Event" have a unique set of attributes listed below the description of each output type.

PGM attributes return to their default settings when PGM output options are changed. See the programming worksheets for a list of the default settings for each PGM output type.

CAUTION: Select the normal and active states of each PGM output to ensure that undesirable output states do not occur after a loss and restore of AC power.

If you program more than one PGM output as the same output type (e.g. If PGM 1 and PGM 2 are both programmed as [19] Command Output 1), the settings for output attributes [1], [2] and [5] must be the same. This does not apply to outputs programmed as types [09] and [10].

NOTE: Attribute [3] must be ON for PGM output option [16].

Assigning Partitions to Programmable Outputs

By default, all programmable outputs are assigned to partition 1. For programmable outputs to work on other partitions, enable or disable the appropriate partitions in the Partition Assignment programming sections.

.....
 PGM Output Partition Assignment. Sections [551] - [564]
 PGM Output timer Section [170]

[501]-[515] PROGRAMMABLE OUTPUT ATTRIBUTES			
PGM Output Types [01], [03], [04], [05]-[08], and [17]-[18]			
1	Not Used		NOTE: This option must be off to ensure proper PGM operation.
2	Not Used		NOTE: This option must be off to ensure proper PGM operation.
3	Output Level	ON	The output will activate (switch to Ground) when the event occurs.
		OFF	The output will de-activate (switch to open) when the event occurs.
PGM Output Types [03], and [19]-[22].ON			
4	Output Options	ON	Output Pulsed. The output will activate for the duration programmed in for the PGM Output Timer in Section [164]. This default period is five seconds.
		OFF	Output On/Off. The output will toggle between on and off when the corresponding [*][7] command is entered.
PGM Output Types [19]-[22].			
5	Access Code Options	ON	Access Code Required for Activation.
		OFF	No Access Code Required for Activation. Attribute 3 is available for all Output types.
PGM Output Types [09] System Trouble			
1	Service Required		
2	AC Fail		
3	Telephone Line Fault		
4	Communications (Failure)		
5	Zone (Fire) Fault		
6	Zone Tamper		
7	Zone Low Battery		
8	Loss of Clock		
PGM Output Types [10] System Event			
1	Burglary		Delay, Instant, Interior, Stay/Away, and 24 Hour Burg Zone Types
2	Fire		[F] Key, Fire Zone
3	Panic		[P] Key and Panic zones
4	Medical		[A] Key, Medical and Emergency zones
5	Supervisory		Supervisory, Freeze and Water zones
6	Priority		Gas, Heat, Sprinkler and 24 Hour Latching Tamper zones
7	Holdup		Holdup Zones and Duress Alarms
8	Output Options	ON	Output Follows PGM Timer. The output will activate for the period of time programmed for the PGM Output Timer.
		OFF	Output is Latched. The output will be active until a valid access code is entered. NOTE: If a System Event PGM is programmed to follow the Command Output Timer, all attributes must be enabled. NOTE: These are the attributes available for the System Event PGM option. The output will activate if any of the corresponding alarm types occur on the system.

[551]-[564] PGM Partition Assignment)

The PC5020 has a 8-bit toggle field per output that determines which partitions the output is assigned to (outputs PGM 1-14). Each bit corresponds to a Partition in each PGM's toggle Mask.

This field is supported by PGMs that have multiple partition capabilities (i.e. Command Outputs, Away Arming) It does not affect System outputs (i.e. Ground Start Pulse).

5.9 International Programming

[700] - Automatic Clock Adjust

The value entered here adds or subtracts seconds at the end of each day to compensate for Crystal/Ceramic Resonator inaccuracies. Valid entries are 00-99 with 60 seconds being the default minute. To determine the value to be programmed in this section perform the following:

- Monitor the time lost by the panel over a period of time.
- Calculate the average amount of time per day that the panel gains or loses.

- Add or Subtract this value (seconds) from 60 and enter the value.

Example: Panel loses an average of 9 seconds per day.

Instead of loading 60 seconds for the last minute of each day, program the panel to load 51 seconds with the use of Section [700]; this will speed up the panel by 9 seconds everyday.

[701] - First International Option Codes

[701] FIRST INTERNATIONAL OPTION CODES			
Option	International Code	On/Off	Description
1	AC	ON	50 Hz AC. - The incoming AC power cycles at 50 Hz.
		OFF	60 Hz AC. - This is the North American standard where the incoming AC power cycles at 60 Hz.
2	Time Base	ON	The timebase is the internal crystal oscillator. In cases of unstable AC power input, the internal crystal can be used to keep the most accurate timebase.
		OFF	The timebase is the AC power input. The 50 or 60 Hz AC power input is normally very stable and can be used as the timebase
3	Arming Inhibit	ON	AC/DC Arming Inhibit with Battery Check Enabled. When an AC or DC trouble is present, the system will not arm. This includes Keypad, Keyswitch, Automatic, and Downloading Arming. If enabled and arming is attempted, the system will perform a System Battery check as well as a Battery Check on all peripheral modules supported by a backup battery.
		OFF	Arming not Inhibited. The system can be armed, regardless of the presence of an AC or DC trouble and will not check all system batteries upon arming. <i>NOTE: If this option is enabled, it is strongly recommended that AC Troubles be displayed (Section [017], Option 1 ON).</i>
4	Latching System Tamper	ON	System Tamper Require Installer Reset and Inhibit Arming. If any system tamper condition occurs, the Installer's code must be entered [*] [8] [Installer Code] and the tamper condition must be restored before the system can be armed. This also includes Auto Arming and Keyswitch. If Auto Arming is attempted with a latched tamper, the panel will not arm. The Auto Arm Cancellation code is not transmitted however because a user did not cancel the Auto Arming sequence.
		OFF	System Tamper Do Not Require Installer Reset. <i>NOTE: If enabled, the manual bypassing of a zone will not bypass the tamper or fault states (DEOL). This feature also applies to Zone Faults.</i>
5	Access Code Length	ON	6-digit Access Codes. All access codes on the system will be 6 digits in length except the Panel I.D. Code and the Downloading Access Code. <ul style="list-style-type: none"> • System Master Code = XXXX56 XXXX = previous code, (1234) • Installer Code = YYYYY55 YYYYY = previous code, (5555)
		OFF	4-digit Access Codes. All access codes on the system will be 4 digits in length. For any existing codes, the last 2 digits are removed.
6	Busy Tone	ON	Busy Tone Detection Enabled. If these tones are detected, the communicator will disengage the phone line and try to place the call again following the "Delay Between Dialing Attempts"
		OFF	Busy Tone Detection Disabled. The communicator will use the standard dialing procedure for every attempt.
7	Battery Current Charge	ON	High Current Battery Charge. Approximately 650-700 mA.
		OFF	Standard Current Battery Charge. At approximately 350 mA.
8		ON	For Future Use

[702] - Second International Options Code

[702] SECOND INTERNATIONAL OPTION CODES			
Option	International Code	On/Off	Description
1	Pulse Dial	ON	Pulse Dialing Make/Break Ratio is 33/67
		OFF	Pulse Dialing Make/Break Ratio is 40/60
2	Force Dial	ON	Force Dialing Enabled. If the first attempt by the panel to call the monitoring station fails to detect a dialtone, on every subsequent attempt the panel will dial regardless of the presence of dialtone. See [703] Delay Between Dialing Attempts
		OFF	Force Dialing Disabled. The panel will not dial the programmed telephone number if dialtone is not present.
3	Land Line Test Transmission	ON	Land Line Test Transmission Interval is in Minutes. The value programmed in Section [370] Seventh entry is in Minutes.
		OFF	Land Line Test Transmission Interval is in Days. The value programmed in Section [370] Seventh entry is in Days.
4	Handshake	ON	1600 Hz Handshake. The communicator responds to a 1600 Hz handshake for BPS formats.
		OFF	Standard Handshake. The communicator responds to the handshake designated by the format selected (1400 or 2300 Hz).
5	I.D. Tone	ON	I.D. Tone Enabled. After the telephone number is dialed, the panel will emit a tone (as specified by Option 6) for 500 ms every two seconds to indicate that it is a digital equipment call, not voice.
		OFF	I.D. Tone Disabled.
6	I.D. Tone Frequency	ON	2100 Hz I.D. Tone
		OFF	1300 Hz I.D. Tone
7	DLS Window	ON	One Time 1-hour user Enabled DLS Window. The User Enabled DLS Window is 1 hour in length and will be closed after a successful hang-up from a downloading call.
		OFF	Full 6-hour User Enabled DLS Window. The User Enabled DLS Window is 6 hours in length and remains open after a successful hang-up from a downloading call. This option determines the length of the DLS window available on power up.
8	FTC Bell	ON	Bell on FTC when armed. If a Failure to Communicate Trouble is generated while the system is armed, the Bell output will sound for the length of Bell time-out or until the system is disarmed.
		OFF	FTC Trouble only when armed. If a Failure to Communicate Trouble is generated while the panel is armed, the Bell output will not sound but the keypad buzzer will sound trouble beeps until a key is pressed.

[703] - Delay Between Dialing Attempts

For standard (force) dialing, the panel will go off-hook, search for dialtone for 5 seconds, hang-up for 20 seconds, go off-hook, search for dialtone for 5 seconds, then dial. If there is no initial handshake recognized within 40 seconds, the panel will hang up. This programmable timer adds a delay before the next call is attempted, and is defaulted to 001 for a total of six seconds.

5.10 Module Programming

The programming sections listed below pertain to additional modules on the system. For instructions on programming these modules and a description of each programming section, see the associated installation manuals.

1. PC5400 ProgrammingSection [801]
2. PC5936 ProgrammingSection [802]
- PC5936 Audio Interface will allow you to connect to 16 Interior (PC5921) or exterior (PC5921EXT) Intercom Station. These surface mounted stations contain a speaker and a microphone. This module enables: Page/Answer, Do Not Disturb, Baby Monitor, Answer Incoming Calls, Doorbell Function, and Background Music features in your alarm. This module also has the Listen-in feature for central station monitoring. The central station can select the audio station, listen/talk, extend on-line time and hang up. The Listen-In feature can be enabled separately for telephone numbers 1/3 and 2. *All talk/listen and/or video sessions will be disconnected if the panel needs to communicate alarms to the central station.*

- Alternate Communicator ProgrammingSection [803]
- PC5132 ProgrammingSection [804]
- PC5100 ProgrammingSection [805]
- PC5108L ProgrammingSection [806]

NOTE: *All talk/listen and/or video sessions are disconnected when the panel communicates alarms to the central station.*

 Telephone 1 & 3 Listen-In Enabled Section [381], Option 5
 Telephone 2 Listen-In Enabled Section [381], Option 6

Periodic Camera Test

When the **Periodic Camera Test** option is enabled, the panel will test cameras connected to a PC5108L module every 30 minutes. Only cameras with the Camera Test option enabled will be tested. See your *PC5108L Installation Manual* for more information on camera tests.

If the **Local Mode** option is ON, the panel will send events to the PC5108L Module, Downlook will not be initiated if requested. If the Local Mode option is OFF, the panel will send communicated events to the PC5108L Module. Downlook will initiate when requested. See your *PC5108L Installation Manual* for more information. See Periodic Camera Test Section [017], Option [7] and Local Mode Enabled/Disabled Section [381], Option [8]

5.11 Special Installer Instructions

[901] - Installer Walk Test Mode Enable / Disable

The **Installer Walk Test** can be used to test the alarm state of each zone of the panel. The walk test cannot be used to test zone type [24]. Before beginning the walk test, ensure the following conditions are met:

1. The panel is disarmed
2. The Keypad Blanking option is disabled (section [016]: [3])
3. The Fire Bell is Continuous option is disabled (section [014]: [8])
4. The Transmission Delay is disabled, if Transmission Delay is not required (section [377])

NOTE: Fire Troubles are not supported in Walk Test. All outputs will activate for both partitions during the walk test, regardless of programming.

To perform a Walk Test, do the following:

1. Enter Installer Programming
2. Enter Section [901]

When any zone is violated the panel will activate the Bell Output for two seconds, log the event to the Event Buffer and communicate the alarm to central station if the **Alarm/Restore Communications during Walk Test** is enabled. Each zone should be tested several times during the test. Check the event buffer to ensure that all zones and FAP keys are functioning properly. The Ready, Armed and Trouble lights will flash for the duration of the Walk Test. During the Walk Test, the panel monitors for zone activity. After 10 minutes of no activity, all keypads will sound 5 beeps every 10 seconds. After another 5 minutes of no zone activity, the panel will automatically end Walk Test and return to the normal state.

NOTE: The transmission delay timer will affect the communication of events during walk test mode.

To stop the test, you must do the following:

1. Enter Installer Programming
2. Enter Section [901]

Zones do not have to be restored to stop the test. After the test is complete, check the Event Buffer to ensure that the Audible/Silent 24-Hr. PGM alarms have been restored.

NOTE: The Alarm Memory is cleared upon entering Walk Test mode. When the Walk Test is complete, the Alarm Memory will indicate the zones tested. The Alarm Memory will be cleared the next time the panel is armed.

[902] - Reset Module Supervision

All modules will automatically enroll within one minute upon power up (except the PC5132 if there are no serial numbers programmed). If modules are to be removed, this section should be entered after the removal of the modules so that it may clear any supervisory troubles that may be present. When this mode is entered, the system will re-evaluate the components of the system.

If there is a module that is not properly communicating with the system and this section is entered, the module will be deleted from the system. Once executed, all pending Supervisory Trouble Restores will not be logged or transmitted.

[903] - Module Supervision Field

When this mode is entered, the system will display all of the modules presently enrolled on the system as indicated below.

[903] MODULE SUPERVISION FIELD	
Indicator	Module
Lights 1-8	Keypads 1-8
Lights 9-14	Zone Expander Groups 1-6
Light 15	PC5100
Light 16	Zone Expander Group 7
Light 17	PC5132
Light 18	PC5208
Light 19	PC5204
Light 20	PC5400
Light 21	PC59XX
Light 22	Alternate Communicator
Light 23	Downlook Module
Light 24	ESCORT 5580
Light 25	For Future Use
Light 26-29	PC520X1-4

[904] - Module Placement Test Module Selection

Upon entering Section [904], a 2 digit entry will be required to select the zone number to be tested. Valid entries are 01-32 for Zones 01-32 respectively. On an LCD Keypad, there are two ways to make a zone selection: direct entry of "01"- "32", or by scrolling across to the description of the module (i.e. "Zone 1"). If a module is selected that is not enrolled, an error tone will sound.

Placement Indication

After the zone is selected, the alarm contacts must be opened. This will register a signal strength value that will be indicated and enunciated on all keypads, as well as on the Bell. The system will remain in this test mode until [#] is pressed or Installer's timeout (20 minutes).

- GOOD signal will be indicated by Light 1 on an LED keypad or the word GOOD on an LCD keypad. It will be enunciated on the Keypad by 1 beep and on the Bell by 1 Squawk.
- FAIR signal will be indicated by Light 2 on an LED keypad or the word FAIR on an LCD keypad. It will be enunciated on the Keypad by 2 beep and on the Bell by 2 Squawk.
- BAD signal will be indicated by Light 3 on an LED keypad or the word BAD on an LCD keypad. It will be enunciated on the Keypad by 3 beep and on the Bell by 3 Squawk.
- Non-Enrolled zone will be annunciated on the Keypad by an error tone.

[906] - Local Downlook Remote Trigger

While in this section, either 1 or 2 may be pressed to initiate Downlook to either Phone Number 1 or 2, respectively. The panel will communicate the System Test event, log "Downlook Remote Trigger", and transmit the script found in the PC5108L for Remote Trigger.

[990][Installer Code] - Installer Lockout Enable

If enabled, the panel will give a distinctive audible indication on power up (the phone line relay will click 10 times). This feature will have no effect on a Software Default (all programming will return to the factory defaults). However, if a hardware default is attempted while lockout is enabled, the default will not occur, and the fraudulent attempt will be logged to the event buffer.

Installer Lockout

If **Installer Lockout** is selected a hardware default cannot be performed. If a software default is performed all programming will restore to factory default.

When **Installer Lockout Disable** is selected the panel will restore all programming to factory defaults if a hardware or software default is performed on the main control panel.

To enable Installer Lockout perform the following:

1. Enter Installer Programming.
2. To enable Installer Lockout, enter section [990]
3. Enter the Installer Code.
4. Enter section [990] again.

[991][Installer Code] - Installer Lockout Disable

This disables the Installer Lockout feature described above.

To disable Installer Lockout perform the following:

1. Enter Installer Programming.
2. To disable Installer Lockout, enter section [991].
3. Enter the Installer Code.
4. Enter section [991] again.

[993]-[999] FACTORY DEFAULTS

On occasion it may be necessary to default the main control panel or one of the modules that can be connected. There are several different defaults available including defaulting the main control panel, Escort5580 module, PC5132 Wireless Expander Module, PC5400 Printer module and LINKS2X50 module.

NOTE: *Defaulting the main panel does not default the keypads. Refer to the Programming Worksheets Appendices A and B for instructions for defaulting LCD5500Z and LCD5501Z keypads. PC55XXZ LED keypads must be manually reprogrammed in programming section [000].*

Factory Default Main Panel (Hardware)

1. Remove AC and battery from the panel.
2. Remove all wires from the Zone 1 and PGM1 terminals.
3. With a piece of wire short the Zone 1 terminal to the PGM1 terminal.
4. Apply AC power to the main panel.
5. When Zone Light 1 is lit on the keypad the default is complete.
6. Remove AC power from the control
7. Reconnect all original wiring and power up the control.

NOTE: *AC power must be used to power the panel. The panel will not default if the battery is used.*

Factory Default Main Panel (Software) and other Modules

1. Enter Installer Programming.
2. Enter the appropriate programming section [99X].
3. Enter the Installer Code.
4. Enter the appropriate programming section [99X] again.

The panel will take a few seconds to reset. When the keypad is operational, the default is complete.

[993][Installer Code] - Restore Alternate Comm. Factory Default Programming

When this section is successfully entered, all programming in the Alternate Communicator (LINKS2150, LINKS2450, LINKS3000, or PC5400 DVACS Module) will be returned to the factory defaults.

[995][Installer Code] - Restore ESCORT 5580 Factory Default Programming

When this section is successfully entered, all programming in the ESCORT5580 Module will be returned to the factory defaults.

[996][Installer Code] - Restore PC5132 Wireless Factory Default Programming

When this section is successfully entered, all programming in the PC5132 Wireless Expansion Module will be returned to the factory defaults.

[997][Installer Code] - Restore PC5400 Factory Default Programming

When this section is successfully entered, all programming in the PC5400 Serial Module will be returned to the factory defaults.

[998][Installer Code] - Restore PC59XX Factory Default Programming

When this section is successfully entered, all programming in the PC59XX Audio Matrix Module will be returned to the factory defaults.

[999][Installer Code] - Restore Factory Default Programming

When this section is successfully entered, all programming in the PC5020 will be returned to the factory defaults. The programming for the ESCORT, PC5132, PC5400 and PC59XX modules will not be defaulted. When this command is executed, the Module Supervision Field will be reset.

Appendix A: Reporting Codes

The following tables contain Contact ID and Automatic SIA format reporting codes. For more information on reporting code formats and notes about individual reporting codes, (See *Section 5.6 Communicator Programming PWS Sect 6*).

Contact ID

The first digit (in parentheses) will automatically be sent by the control. The second two digits are programmed to indicate specific information about the signal.

For example, if zone 1 is an entry/exit point, you could program the event code as [34]. The central station would receive the following:

*BURG - ENTRY/EXIT - 1

where the "1" indicates which zone went into alarm.

SIA Format - Level 2 (Hardcoded)

The SIA communication format used in this product follows the level 2 specifications of the SIA Digital Communication Standard - October 1997. This format will send the Account Code along with its data transmission. The transmission will look similar to the following at the receiver:

```
N Ri01      BA 01
N           = New Event
Ri01       = Partition /Area Identifier
BA         = Burglary Alarm
01         = Zone 1
```

NOTE: A system event will use the Area Identifier Ri00.

Section #	Reporting Code	Code Sent When...	Dialer Direction*	Automatic Contact ID Codes	SIA Auto Rep Codes**
[320]-[323]	Zone Alarms	Zone goes into alarm	A/R	See Table 3	See Table 3
[324]-[327]	Zone Restorals	Alarm condition has been restored	A/R		
[328]	Duress Alarm	Duress code entered at keypad	A/R	(1) 21	HA-00
[328]	Opening After Alarm	System disarmed with alarm in memory	A/R	(4) A6	OR-00
[328]	Recent Closing	Alarm occurs within two minutes of system arming	A/R	(4) 59	CR-00
[328]	Zone Expander Supervisory Alarm/Rest.	Panel loses/restores supervisory transmission over the Key-bus from zone expansion modules, or keypads with zone inputs	A/R	(1) 43	UA-00/UH-00
[328]	Cross Zone (Police Code) Alarm	Two zones on the same partition go into alarm during any given armed-to-armed period (incl. 24Hr zones)	A/R	(1) 4A	BM-00/BV-00
[328]	Burglary Not Verified		A/R	(3) 78	XM-00
[328]					
[329]	[F] Key Alarm/Rest.	Keypad fire alarm (alarm and restore rep. codes sent together)	A/R	(1) 15	FA-00/FH-00
[329]	[A] Key Alarm/Rest.	Keypad auxiliary alarm (alarm and restore rep. codes sent together)	A/R	(1) AA	MA-00/MH-00
[329]	[P] Key Alarm/Rest.	Keypad panic alarm (alarm and restore rep. codes sent together)	A/R	(1) 2A	PA-00/PH-00
[329]	Aux Input Alarm/Rest	Option#23/24: a panic button wired to PGM 2 is pressed/ access code is entered Option #04: a 2-wire smoke detector wired to PGM 2 goes into alarm/alarm is cleared.	A/R	(1) 4A	UA-99/UH-99
			A/R	(1) 11	FA-99/FH-99
[330]-[337]	Zone Tamper/Restoral	Zone is tampered / tamper condition restored	T/R	(1) 44	TA-ZZ/TR-ZZ
[338]	General System Tamper/ Rest.	Enrolled module with tamper inputs has a tamper alarm/all module tampers restored	T/R	(1) 45	TA-00/TR-00
[338]	Keypad Lockout	Maximum number of incorrect access codes has been entered at a keypad	T/R	(4) 21	JA-00
[339-341]	Closings	System armed (user 01-34, 40-42 indicated)	O/C	(4) A2	CL-UU
[341]	Partial Closing	One or more zones bypassed when system armed	O/C	(4) 7A	CG-ZZ
[341]	Special Closing	Closing (arming) using one of the following methods: quick arm, auto arm, keyswitch, function key, maintenance code, DLS software, wireless key	O/C	(4) AA	CL-00
[341]	Late to Close	Whenever the auto-arm prealert sounds (if the Late to Close option is enabled)	O/C	(4) A4	CI-00
[342-344]	Openings	System disarmed (user 01-34, 40-42 indicated)	O/C	(4) A2	OP-UU
[344]	Auto-arm Cancellation	Auto-arm cancelled	O/C	(4) A5	CE-00

* A/R = alarms/restorals; T/R = tampers/restorals; O/C = openings/closings; MA/R = miscellaneous alarms/restorals; T = test transmissions

** UU = user number (user01-42); ZZ = zone number (01-64)

Section #	Reporting Code	Code Sent When...	Dialer Direction*	Automatic Contact ID Codes	SIA Auto Rep Codes**
[344]	Special Opening	Opening (disarming) using one of the following methods: keyswitch, maintenance code, DLS software, wireless key	O/C	(4) AA	OP-00
[345]-[346]	Battery Trouble/Rest.	PC5020 battery is low/battery restored	MA/R	(3) A2	YT-00/YR-00
[345]-[346]	AC Line Trouble/Rest.	AC power to control panel is disconnected or interrupted/ AC power restored (Both codes follow AC Failure Comm. Delay.)	MA/R	(3) A1	AT-00/AR-00
[345]-[346]	Bell Circuit Trouble/Rest.	Open or short circuit detected across bell terminals/bell circuit restored	MA/R	(3) 21	YA-99/YH-99
[345]-[346]	Fire Trouble/Rest.	Trouble occurs/restores on a fire zone	MA/R	(3) 73	FT-00/FJ-00
[345]-[346]	Auxiliary Power Trouble/Rest.	Aux voltage supply trouble/restoral	MA/R	(3) AA	YP-00/YQ-00
[345]	TLM Failure	Telephone line monitoring trouble (sent via LINKS1000. Do not program if LINKS1000 not used)	MA/R	(3) 51	LT-00
[346]	TLM Restore	Telephone line restored	MA/R	(3) 51	LR-00
[345]-[346]	Gen System Trouble/Rest.	"Service Required" trouble occurs (view troubles using [*][2])/trouble restored	MA/R	(3) AA	YX-00/YZ-00
[345]-[346]	Gen System Supervisory Trouble/Rest.	Control panel loses/restores communications with module(s) connected to the Keybus	MA/R	(3) 33	ET-00/ER-00
[347]	Phone# 1 or 2 FTC Restoral	Control panel has restored communications to central station on Phone# 1 or 2 (after FTC)	MA/R	(3) 54	YK-00
[347]	Event Buffer is 75% Full	Event buffer is almost full since last upload	MA/R	(6) 23	JL-00
[347]	DLS Lead In	Downloading session start	MA/R	(4) 11	RB-00
[347]	DLS Lead Out	Downloading session complete	MA/R	(4) 12	RS-00
[347]	Zone Fault/Rest.	One or more zones have faults/restored	MA/R	(3) 72	UT-ZZ/UJ-ZZ
[347]	Delinquency	Programmed amount of time (days or hours) for delinquency has expired without zone activity, or without system being armed	MA/R	(4) 54***	CD-00
[347]	Wireless Device Low Battery Trouble/Rest.	Wireless zones, panic pendants, handheld keypads, wireless keys have low battery/all low batteries restored	MA/R	(3) 84	XT-00/XR-00 XT-ZZ/XR-ZZ****
[348]	Walk Test End	End of test	T	(6) A7	TS-00
[348]	Walk Test Begin	Beginning of test	T	(6) A7	TE-00
[348]	Periodic Test with Trouble	Periodic system test transmission with trouble	T	(6) A8	RP-01
[348]	Periodic Test	Periodic system test transmission	T	(6) A2	RP-00
[348]	System Test	[*][6] bell/communications test	T	(6) A1	RX-00
[348]	LINKS1000 Test	LINKS1000 test transmission	T	(6) A3	TX-00
[349]	PC5700 Ground Fault Trouble/Restore	Ground/Fault/Trouble occurs on the PC5700	MA/R	(3) 1A	US-00
[349]	PC5700 TLM Line 1 Trouble/Restore	TLM Trouble /Restore occurs on the PC5700	MA/R	(3) 51	LT-XX
[349]	PC5700 TLM Line 2 Trouble/Restore	TLM Trouble /Restore occurs on the PC5700	MA/R	(3) 52	LR-XX
*	A/R = alarms/restorals; T/R = tampers/restorals; O/C = openings/closings; MA/R = miscellaneous alarms/restorals; T = test transmissions				
**	UU = user number (user01-42); ZZ = zone number (01-64)				
***	Use the "Fail to close" event code [(4)54] to report closing or activity delinquency. Ensure the central station is aware that this code is used.				
****	Zones are identified, panic pendants, wireless keys, and handheld keypads are not.				

Table2: Contact ID Zone Alarm/Restoral Event Codes (as per ADEMCO):

Program any of these codes for zone alarms/restorals when using the standard (non-automatic) Contact ID reporting format.

Medical Alarms

- (1)AA Medical
- (1)A1 Pendant Transmitter
- (1)A2 Fail to Report In

Fire Alarms

- (1)1A Fire Alarm
- (1)11 Smoke
- (1)12 Combustion
- (1)13 Water Flow
- (1)14 Heat

(1)34 Entry / Exit

(1)35 Day / Night

(1)36 Outdoor

(1)37 Tamper

(1)38 Near Alarm

General Alarms

- (1)4A General Alarm
- (1)43 Exp. module failure
- (1)44 Sensor tamper
- (1)45 Module Tamper

(1)15 Pull Station

(1)16 Duct

(1)17 Flame

(1)18 Near Alarm

Panic Alarms

(1)2A Panic

(1)21 Duress

(1)22 Silent

(1)23 Audible

Burglar Alarms

(1)3A Burglary

(1)31 Perimeter

(1)32 Interior

(1)33 24 Hour

(1)4A Cross Zone Police Code

24 Hour Non-Burglary

(1)5A 24 Hour non-Burg

(1)51 Gas detected

(1)52 Refrigeration

(1)53 Loss of Heat

(1)54 Water Leakage

(1)55 Foil Break

(1)56 Day Trouble

(1)57 Low bottled Gas level

(1)58 High Temp

(1)59 Low Temp

(1)61 Loss of Air Flow

Table 3: SIA Format Automatic Zone Alarm/Restoral Codes

Zone Definition	SIA Auto Rep Codes*	Contact ID Auto Rep Codes*
	Zone Alm/Rest.	Zone Alm/Rest.
Delay 1	BA-ZZ/BH-ZZ	(1) 3A
Delay 2	BA-ZZ/BH-ZZ	(1) 3A
Instant	BA-ZZ/BH-ZZ	(1) 3A
Interior	BA-ZZ/BH-ZZ	(1) 3A
Interior Stay/Away	BA-ZZ/BH-ZZ	(1) 3A
Delay Stay/Away	BA-ZZ/BH-ZZ	(1) 3A
Delayed 24Hr Fire	FA-ZZ/FH-ZZ	(1) 1A
Standard 24Hr Fire	FA-ZZ/FH-ZZ	(1) 1A
24Hr Supervisory	US-ZZ/UR-ZZ	(3) 8A
24Hr Supervisory Buzzer	UA-ZZ/UH-ZZ	(1) 3A
24Hr Burg	BA-ZZ/BH-ZZ	(1) 3A
24Hr Holdup	HA-ZZ/HH-ZZ	(1) 22
24Hr Gas	GA-ZZ/GH-ZZ	(1) 5A
24Hr Heat	KA-ZZ/KH-ZZ	(1) 5A

Zone Definition	SIA Auto Rep Codes*	Contact ID Auto Rep Codes*
	Zone Alm/Rest.	Zone Alm/Rest.
24Hr Medical	MA-ZZ/MH-ZZ	(1) AA
24Hr Panic	PA-ZZ/PH-ZZ	(1) 2A
24Hr Emergency (non-medical)	QA-ZZ/QH-ZZ	(1) 1A
24Hr Sprinkler	SA-ZZ/SH-ZZ	(1) 13
24Hr Waterflow	WA-ZZ/WH-ZZ	(1) 5A
24Hr Freeze	ZA-ZZ/ZH-ZZ	(1) 5A
24Hr Latching	BA-ZZ/BH-ZZ	(1) 3A
Interior Delay	BA-ZZ/BH-ZZ	(1) 3A
Delayed 24Hr Waterflow	SA-ZZ/SH-ZZ	(1) 1A
Instant 24Hr Waterflow	SA-ZZ/SH-ZZ	(1) 1A
Auto Verified Fire	FA-ZZ/FH-ZZ	(1) 1A
24Hr Fire Supervisory	FS-ZZ/FR-ZZ	(2) AA
Day Zone	BA-ZZ/BH-ZZ	(1) 3A
Delayed 24Hr Fire (Wireless)	FA-ZZ/FH-ZZ	(1) 1A
Standard 24Hr Fire (Wireless)	FA-ZZ/FH-ZZ	(1) 1A

* ZZ = zones 01-64

FCC COMPLIANCE STATEMENT

CAUTION: Changes or modifications not expressly approved by Digital Security Controls Ltd. could void your authority to use this equipment.

This equipment has been tested and found to comply with the limits for a Class B digital device, pursuant to Part 15 of the FCC Rules. These limits are designed to provide reasonable protection against harmful interference in a residential installation. This equipment generates, uses and can radiate radio frequency energy and, if not installed and used in accordance with the instructions, may cause harmful interference to radio communications. However, there is no guarantee that interference will not occur in a particular installation. If this equipment does cause harmful interference to radio or television reception, which can be determined by turning the equipment off and on, the user is encouraged to try to correct the interference by one or more of the following measures:

- ' Re-orient the receiving antenna.
- ' Increase the separation between the equipment and receiver.
- ' Connect the equipment into an outlet on a circuit different from that to which the receiver is connected.
- ' Consult the dealer or an experienced radio/television technician for help.

The user may find the following booklet prepared by the FCC useful: "How to Identify and Resolve Radio/Television Interference Problems". This booklet is available from the U.S. Government Printing Office, Washington D.C. 20402, Stock # 004-000-00345-4.

IMPORTANT INFORMATION

This equipment complies with Part 68 of the FCC Rules. On the side of this equipment is a label that contains, among other information, the FCC registration number of this equipment.

Notification to Telephone Company The customer shall notify the telephone company of the particular line to which the connection will be made, and provide the FCC registration number and the ringer equivalence of the protective circuit.

FCC Registration Number: F53CAN-34330-AL-E

Ringer Equivalence Number: 0.1B

USOC Jack: RJ31X

Telephone Connection Requirements Except for the telephone company provided ringers, all connections to the telephone network shall be made through standard plugs and telephone company provided jacks, or equivalent, in such a manner as to allow for easy, immediate disconnection of

the terminal equipment. Standard jacks shall be so arranged that, if the plug connected thereto is withdrawn, no interference to the operation of the equipment at the customer's premises which remains connected to the telephone network shall occur by reason of such withdrawal.

Incidence of Harm Should terminal equipment or protective circuitry cause harm to the telephone network, the telephone company shall, where practicable, notify the customer that temporary disconnection of service may be required; however, where prior notice is not practicable, the telephone company may temporarily discontinue service if such action is deemed reasonable in the circumstances. In the case of such temporary discontinuance, the telephone company shall promptly notify the customer and will be given the opportunity to correct the situation.

Additional Telephone Company Information The security control panel must be properly connected to the telephone line with a USOC RJ-31X telephone jack.

The FCC prohibits customer-provided terminal equipment be connected to party lines or to be used in conjunction with coin telephone service. Interconnect rules may vary from state to state.

Changes in Telephone Company Equipment or Facilities The telephone company may make changes in its communications facilities, equipment, operations or procedures, where such actions are reasonably required and proper in its business. Should any such changes render the customer's terminal equipment incompatible with the telephone company facilities the customer shall be given adequate notice to the effect modifications to maintain uninterrupted service.

Ringer Equivalence Number (REN) The REN is useful to determine the quantity of devices that you may connect to your telephone line and still have all of those devices ring when your telephone number is called. In most, but not all areas, the sum of the RENs of all devices connected to one line should not exceed five (5.0). To be certain of the number of devices that you may connect to your line, you may want to contact your local telephone company.

Equipment Maintenance Facility If you experience trouble with this telephone equipment, contact the facility indicated below for information on obtaining service or repairs. The telephone company may ask that you disconnect this equipment from the network until the problem has been corrected or until you are sure that the equipment is not malfunctioning. Digital Security Controls Ltd. 160 Washburn St., Lockport, NY 14094

Industry Canada Statement

AVIS: L'étiquette de l'Industrie Canada identifie le matériel homologué. Cette étiquette certifie que le matériel est conforme à certaines normes de protection, d'exploitation et de sécurité des réseaux de télécommunications. Industrie Canada n'assure toutefois pas que le matériel fonctionnera à la satisfaction de l'utilisateur.

Avant d'installer ce matériel, l'utilisateur doit s'assurer qu'il est permis de le raccorder aux installations de l'entreprise locale de télécommunication. Le matériel doit également être installé en suivant une méthode acceptée de raccordement. L'abonné ne doit pas oublier qu'il est possible que la conformité aux conditions énoncées ci-dessus n'empêchent pas la dégradation du service dans certaines situations.

Les réparations de matériel homologué doivent être effectuées par un centre d'entretien canadien autorisé désigné par le fournisseur. La compagnie de télécommunications peut demander à l'utilisateur de débrancher un appareil à la suite de réparations ou de modifications effectuées par l'utilisateur ou à cause de mauvais fonctionnement.

Pour sa propre protection, l'utilisateur doit s'assurer que tous les fils de mise à la terre de la source d'énergie électrique, les lignes téléphoniques et les canalisations d'eau métalliques, s'il y en a, sont raccordés ensemble. Cette précaution est particulièrement importante dans les régions rurales.

AVERTISSEMENT: L'utilisateur ne doit pas tenter de faire ces raccordements lui-même; il doit avoir recours à un service d'inspection des installations électriques, ou à un électricien, selon le cas.

L'indice de charge (IC) assigné à chaque dispositif terminal indique, pour éviter toute surcharge, le pourcentage de la charge totale qui peut être raccordée à un circuit téléphonique bouclé utilisé par ce dispositif. La terminaison du circuit bouclé peut être constituée de n'importe quelle combinaison de dispositifs, pourvu que la somme des indices de charge de

l'ensemble des dispositifs ne dépasse pas 100.

L'Indice de charge de ce produit est 0.1B.

NOTICE: The Industry Canada label identifies certified equipment. This certification means that the equipment meets certain telecommunications network protective, operational and safety requirements. Industry Canada does not guarantee the equipment will operate to the user's satisfaction. Before installing this equipment, users should ensure that it is permissible to be connected to the facilities of the local telecommunications company. The equipment must also be installed using an acceptable method of connection. The customer should be aware that compliance with the above conditions may not prevent degradation of service in some situations.

Repairs to certified equipment should be made by an authorized Canadian maintenance facility designated by the supplier. Any repairs or alterations made by the user to this equipment, or equipment malfunctions, may give the telecommunications company cause to request the user to disconnect the equipment.

User should ensure for their own protection that the electrical ground connections of the power utility, telephone lines and internal metallic water pipe system, if present, are connected together. This precaution may be particularly important in rural areas.

CAUTION: Users should not attempt to make such connections themselves, but should contact the appropriate electric inspection authority, or electrician, as appropriate.

The Load Number (LN) assigned to each terminal device denotes the percentage of the total load to be connected to a telephone loop which is used by the device, to prevent overloading. The termination on a loop may consist of any combination of devices subject only to the requirement that the total of the Load Numbers of all the devices does not exceed 100.

The Load Number of this unit is 0.1B.

WARNING Please Read Carefully

Note to Installers

This warning contains vital information. As the only individual in contact with system users, it is your responsibility to bring each item in this warning to the attention of the users of this system.

System Failures

This system has been carefully designed to be as effective as possible. There are circumstances, however, involving fire, burglary, or other types of emergencies where it may not provide protection. Any alarm system of any type may be compromised deliberately or may fail to operate as expected for a variety of reasons. Some but not all of these reasons may be:

■ **Inadequate Installation**

A security system must be installed properly in order to provide adequate protection. Every installation should be evaluated by a security professional to ensure that all access points and areas are covered. Locks and latches on windows and doors must be secure and operate as intended. Windows, doors, walls, ceilings and other building materials must be of sufficient strength and construction to provide the level of protection expected. A reevaluation must be done during and after any construction activity. An evaluation by the fire and/or police department is highly recommended if this service is available.

■ **Criminal Knowledge**

This system contains security features which were known to be effective at the time of manufacture. It is possible for persons with criminal intent to develop techniques which reduce the effectiveness of these features. It is important that a security system be reviewed periodically to ensure that its features remain effective and that it be updated or replaced if it is found that it does not provide the protection expected.

■ **Access by Intruders**

Intruders may enter through an unprotected access point, circumvent a sensing device, evade detection by moving through an area of insufficient coverage, disconnect a warning device, or interfere with or prevent the proper operation of the system.

■ **Power Failure**

Control units, intrusion detectors, smoke detectors and many other security devices require an adequate power supply for proper operation. If a device operates from batteries, it is possible for the batteries to fail. Even if the batteries have not failed, they must be charged, in good condition and installed correctly. If a device operates only by AC power, any interruption, however brief, will render that device inoperative while it does not have power. Power interruptions of any length are often accompanied by voltage fluctuations which may damage electronic equipment such as a security system. After a power interruption has occurred, immediately conduct a complete system test to ensure that the system operates as intended.

■ **Failure of Replaceable Batteries**

This system's wireless transmitters have been designed to provide several years of battery life under normal conditions. The expected battery life is a function of the device environment, usage and type. Ambient conditions such as high humidity, high or low temperatures, or large temperature fluctuations may reduce the expected battery life. While each transmitting device has a low battery monitor which identifies when the batteries need to be replaced, this monitor may fail to operate as expected. Regular testing and maintenance will keep the system in good operating condition.

■ **Compromise of Radio Frequency (Wireless) Devices**

Signals may not reach the receiver under all circumstances which could include metal objects placed on or near the radio path or deliberate jamming or other inadvertent radio signal interference.

■ **System Users**

A user may not be able to operate a panic or emergency switch possibly due to permanent or temporary physical disability, inability to reach the device in time, or unfamiliarity with the correct operation. It is important that all system users be trained in the correct operation of the alarm system and that they know how to respond when the system indicates an alarm.

■ **Smoke Detectors**

Smoke detectors that are a part of this system may not properly alert occupants of a fire for a number of reasons, some of which follow. The smoke detectors may have been improperly installed or positioned. Smoke may not be able to reach the smoke detectors, such as when the fire is in a chimney, walls or roofs, or on the other side of closed doors. Smoke detectors may not detect smoke from fires on another level of the residence or building.

Every fire is different in the amount of smoke produced and the rate of burning. Smoke detectors cannot sense all types of fires equally well. Smoke detectors may not provide timely warning of fires caused by carelessness or safety hazards such as smoking in bed, violent explosions, escaping gas, improper storage of flammable materials, overloaded electrical circuits, children playing with matches or arson.

Even if the smoke detector operates as intended, there may be circumstances when there is insufficient warning to allow all occupants to escape in time to avoid injury or death.

■ **Motion Detectors**

Motion detectors can only detect motion within the designated areas as shown in their respective installation instructions. They cannot discriminate between intruders and intended occupants. Motion detectors do not provide volumetric area protection. They have multiple beams of detection and motion can only be detected in unobstructed areas covered by these beams. They cannot detect motion which occurs behind walls, ceilings, floor, closed doors, glass partitions, glass doors or windows. Any type of tampering whether intentional or unintentional such as masking, painting, or spraying of any material on the lenses, mirrors, windows or any other part of the detection system will impair its proper operation.

Passive infrared motion detectors operate by sensing changes in temperature. However their effectiveness can be reduced when the ambient temperature rises near or above body temperature or if there are intentional or unintentional sources of heat in or near the detection area. Some of these heat sources could be heaters, radiators, stoves, barbecues, fireplaces, sunlight, steam vents, lighting and so on.

■ **Warning Devices**

Warning devices such as sirens, bells, horns, or strobes may not warn people or waken someone sleeping if there is an intervening wall or door. If warning devices are located on a different level of the residence or premise, then it is less likely that the occupants will be alerted or awakened. Audible warning devices may be interfered with by other noise sources such as stereos, radios, televisions, air conditioners or other appliances, or passing traffic. Audible warning devices, however loud, may not be heard by a hearing-impaired person.

■ **Telephone Lines**

If telephone lines are used to transmit alarms, they may be out of service or busy for certain periods of time. Also an intruder may cut the telephone line or defeat its operation by more sophisticated means which may be difficult to detect.

■ **Insufficient Time**

There may be circumstances when the system will operate as intended, yet the occupants will not be protected from the emergency due to their inability to respond to the warnings in a timely manner. If the system is monitored, the response may not occur in time to protect the occupants or their belongings.

■ **Component Failure**

Although every effort has been made to make this system as reliable as possible, the system may fail to function as intended due to the failure of a component.

■ **Inadequate Testing**

Most problems that would prevent an alarm system from operating as intended can be found by regular testing and maintenance. The complete system should be tested weekly and immediately after a break-in, an attempted break-in, a fire, a storm, an earthquake, an accident, or any kind of construction activity inside or outside the premises. The testing should include all sensing devices, keypads, consoles, alarm indicating devices and any other operational devices that are part of the system.

■ **Security and Insurance**

Regardless of its capabilities, an alarm system is not a substitute for property or life insurance. An alarm system also is not a substitute for property owners, renters, or other occupants to act prudently to prevent or minimize the harmful effects of an emergency situation.

Limited Warranty

Digital Security Controls Ltd. warrants the original purchaser that for a period of twelve months from the date of purchase, the product shall be free of defects in materials and workmanship under normal use. During the warranty period, Digital Security Controls Ltd. shall, at its option, repair or replace any defective product upon return of the product to its factory, at no charge for labour and materials. Any replacement and/or repaired parts are warranted for the remainder of the original warranty or ninety (90) days, whichever is longer. The original owner must promptly notify Digital Security Controls Ltd. in writing that there is defect in material or workmanship, such written notice to be received in all events prior to expiration of the warranty period.

International Warranty

The warranty for international customers is the same as for any customer within Canada and the United States, with the exception that Digital Security Controls Ltd. shall not be responsible for any customs fees, taxes, or VAT that may be due.

Warranty Procedure

To obtain service under this warranty, please return the item(s) in question to the point of purchase. All authorized distributors and dealers have a warranty program. Anyone returning goods to Digital Security Controls Ltd. must first obtain an authorization number. Digital Security Controls Ltd. will not accept any shipment whatsoever for which prior authorization has not been obtained.

Conditions to Void Warranty

This warranty applies only to defects in parts and workmanship relating to normal use. It does not cover:

- damage incurred in shipping or handling;
- damage caused by disaster such as fire, flood, wind, earthquake or lightning;
- damage due to causes beyond the control of Digital Security Controls Ltd. such as excessive voltage, mechanical shock or water damage;
- damage caused by unauthorized attachment, alterations, modifications or foreign objects;
- damage caused by peripherals (unless such peripherals were supplied by Digital Security Controls Ltd.);
- defects caused by failure to provide a suitable installation environment for the products;
- damage caused by use of the products for purposes other than those for which it was designed;
- damage from improper maintenance;
- damage arising out of any other abuse, mishandling or improper application of the products.

Digital Security Controls Ltd.'s liability for failure to repair the product under this warranty after a reasonable number of attempts will be limited to a replacement of the product, as the exclusive remedy for breach of warranty. Under no circumstances shall Digital Security Controls Ltd. be liable for any special, incidental, or consequential damages based upon breach of warranty, breach of contract, negligence, strict liability, or any other legal theory. Such damages include, but are not limited to, loss of profits, loss of the product or any associated equipment, cost of capital, cost of substitute or replacement equipment, facilities or services, down time, purchaser's time, the claims of third parties, including customers, and injury to property.

Disclaimer of Warranties

This warranty contains the entire warranty and shall be in lieu of any and all other warranties, whether expressed or implied (including all implied warranties of merchantability or fitness for a particular purpose) And of all other obligations or liabilities on the part of Digital Security Controls Ltd. Digital Security Controls Ltd. neither assumes nor authorizes any other person purporting to act on its behalf to modify or to change this warranty, nor to assume for it any other warranty or liability concerning this product.

This disclaimer of warranties and limited warranty are governed by the laws of the province of Ontario, Canada.

WARNING: Digital Security Controls Ltd. recommends that the entire system be completely tested on a regular basis. However, despite frequent testing, and due to, but not limited to, criminal tampering or electrical disruption, it is possible for this product to fail to perform as expected.

Installer's Lockout

Any products returned to DSC which have the Installer's Lockout option enabled and exhibit no other problems will be subject to a service charge.

Out of Warranty Repairs

Digital Security Controls Ltd. will at its option repair or replace out-of-warranty products which are returned to its factory according to the following conditions. Anyone returning goods to Digital Security Controls Ltd. must first obtain an authorization number. Digital Security Controls Ltd. will not accept any shipment whatsoever for which prior authorization has not been obtained.

Products which Digital Security Controls Ltd. determines to be repairable will be repaired and returned. A set fee which Digital Security Controls Ltd. has predetermined and which may be revised from time to time, will be charged for each unit repaired.

Products which Digital Security Controls Ltd. determines not to be repairable will be replaced by the nearest equivalent product available at that time. The current market price of the replacement product will be charged for each replacement unit.

PC5020 Module Compatibility

Module	Compatible ?	Comments
PC5108 v2.x	Yes	Fully compatible with Power864.
PC5200	Yes	Fully compatible with Power864.
PC5204	Yes	Fully compatible with Power864.
PC5208	Yes	Fully compatible with Power864.
PC5320	Yes	Fully compatible with Power864.
LCD5500Z v3.X	Yes	Fully compatible with Power864.
LCD5501Z v2.x	Yes	Fully compatible with Power864.
Escort5580 v3.0	Yes	Fully compatible with Power864.
PC5700 v2.0	Yes	Fully compatible with Power864.
PC5936	Yes	Fully compatible with Power864.
PC5100	Yes	Can only add addressable devices to the first 32 zones.
PC5108 v1.X	Yes	Can only support the first 32 zones. Enrolls as two expander modules - each module will use up two supervisory slots.
PC5108L	Yes	Can only be assigned zones from 1 to 32. Will not support zones 33 to 64. Camera scripts can only be run for zones 1 to 32. Enrolls as two expander modules and uses two supervisory slots.
PC5132 v1.X	Yes	No support for Wireless Keys, Pendants or Handheld Keypads. Only the first 32 zones can be used as wireless zones.
PC5132 v2.X	Yes	No identified Wireless Keys support. Only the first 32 zones can be used as wireless zones.
PC5132 v3.X	Yes	Only the first 32 zones can be used as wireless zones.
PC5400 Printer/DVACS Module v1.X to v2.1	Yes	Some printing messages not supported. Some events not supported.
PC5400 Printer/DVACS Module v2.2	Yes	Some events not supported.
LCD5500 v1.X	Yes	No Keypad zone support. Some display messages not supported. Can only be used on Partition 1 and Partition 2, and the first 32 zones.
LCD5500Z v2.X	Yes	Can only be used on Partition 1 and Partition 2, and the first 32 zones.
LCD5501Z v1.x	Yes	Can only be used on Partition 1 and Partition 2, and the first 32 zones.
PC55XX	Yes	No Keypad zone support. Can only be used on Partition 1 and Partition 2, and the first 8, 16, or 32 zones.
PC55XXZ	Yes	Can only be used on Partition 1 and Partition 2, and the first 8, 16, or 32 zones.
PC5506	No	
PC5509	No	
LCD600	No	
LED615	No	
PC5700 v1.X	Yes	Enrolls as two expander modules - each module will use up two supervisory slots.
PC5720	Yes	Enrolls as two expander modules - each module will use up two supervisory slots.
PC5908	No	
PC5928	No	
DLM-1	No	
DLM-4 v1.x	No	
DLM-4 v1.0L	Yes	
DLM-7	No	
Links1000	Yes	
Links2150	Yes	Some events not supported.
Links2450	Yes	Some events not supported.
Skyroute	Yes	Some events not supported.
SL-XX	No	
PC-16 Out	No	
Classic Escort (VPM-1)	No	

